

Вариант 2

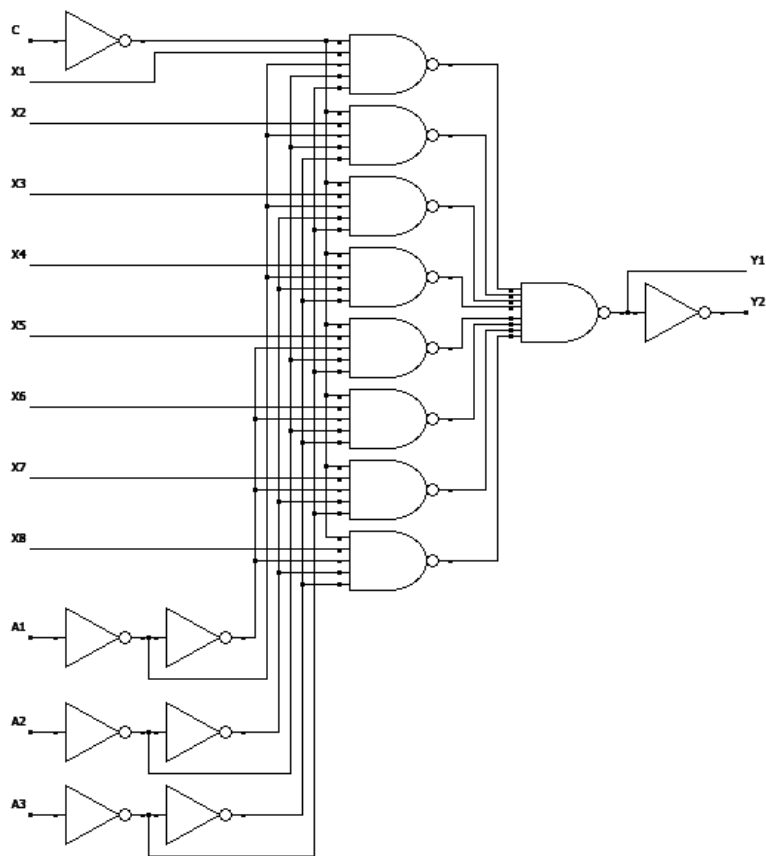


Таблица истинности:

| C | A1 | A2 | A3 | Y1 | Y2              |
|---|----|----|----|----|-----------------|
| 0 | 0  | 0  | 0  | X1 | $\overline{X1}$ |
| 0 | 0  | 0  | 1  | X2 | $\overline{X2}$ |
| 0 | 0  | 1  | 0  | X3 | $\overline{X3}$ |
| 0 | 0  | 1  | 1  | X4 | $\overline{X4}$ |
| 0 | 1  | 0  | 0  | X5 | $\overline{X5}$ |
| 0 | 1  | 0  | 1  | X6 | $\overline{X6}$ |
| 0 | 1  | 1  | 0  | X7 | $\overline{X7}$ |
| 0 | 1  | 1  | 1  | X8 | $\overline{X8}$ |
| 1 | X  | X  | X  | 0  | 1               |

Вариант 3

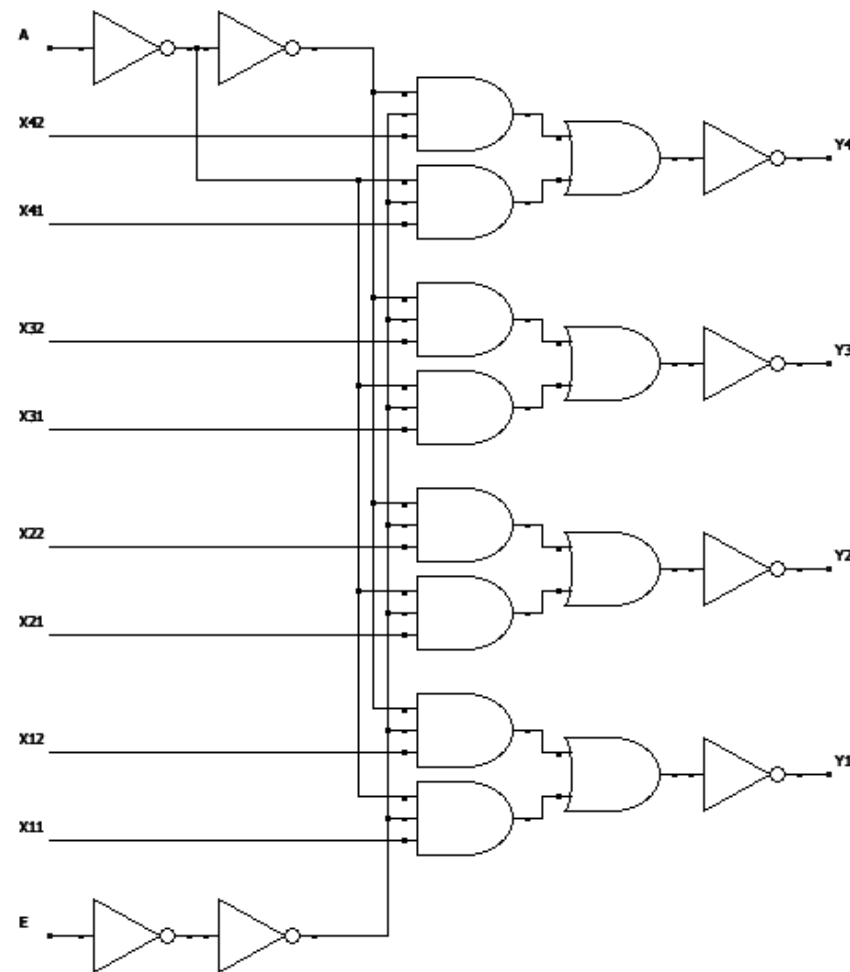


Таблица истинности:

| E | A | Y4               | Y3               | Y2               | Y1               |
|---|---|------------------|------------------|------------------|------------------|
| 0 | X | 1                | 1                | 1                | 1                |
| 1 | 0 | $\overline{X41}$ | $\overline{X31}$ | $\overline{X21}$ | $\overline{X11}$ |
| 1 | 1 | $\overline{X42}$ | $\overline{X32}$ | $\overline{X22}$ | $\overline{X12}$ |

Вариант 4

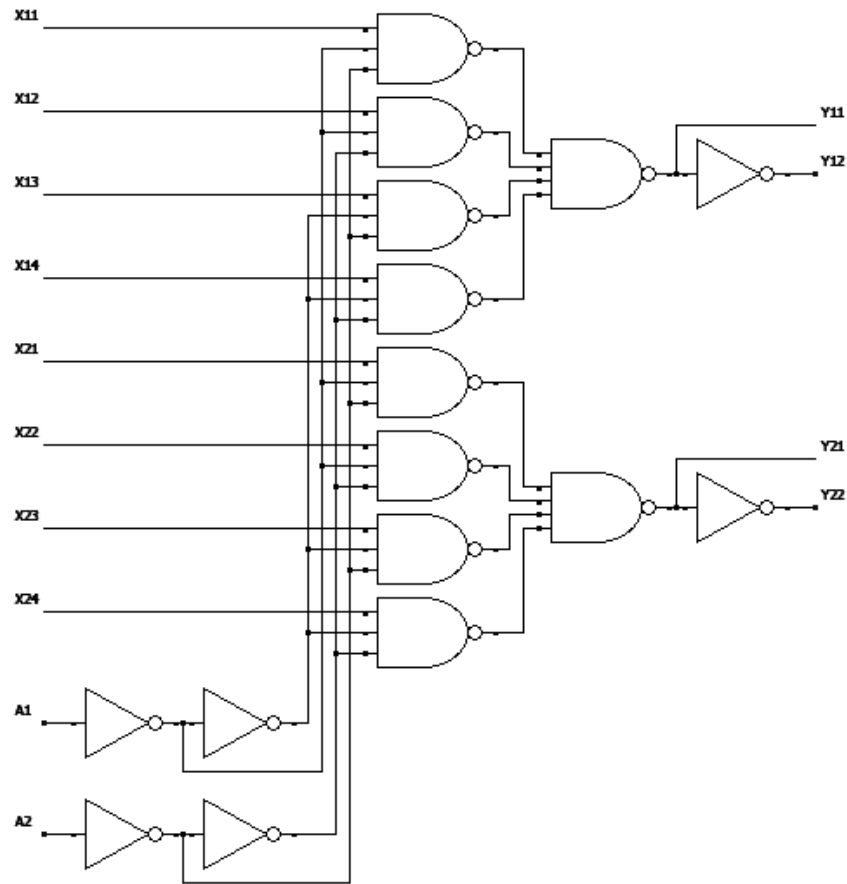


Таблица истинности:

| A1 | A2 | Y11 | Y12              | Y21 | Y22              |
|----|----|-----|------------------|-----|------------------|
| 0  | 0  | X11 | $\overline{X11}$ | X21 | $\overline{X21}$ |
| 0  | 1  | X12 | $\overline{X12}$ | X22 | $\overline{X22}$ |
| 1  | 0  | X13 | $\overline{X13}$ | X23 | $\overline{X23}$ |
| 1  | 1  | X14 | $\overline{X14}$ | X24 | $\overline{X24}$ |

Вариант 5

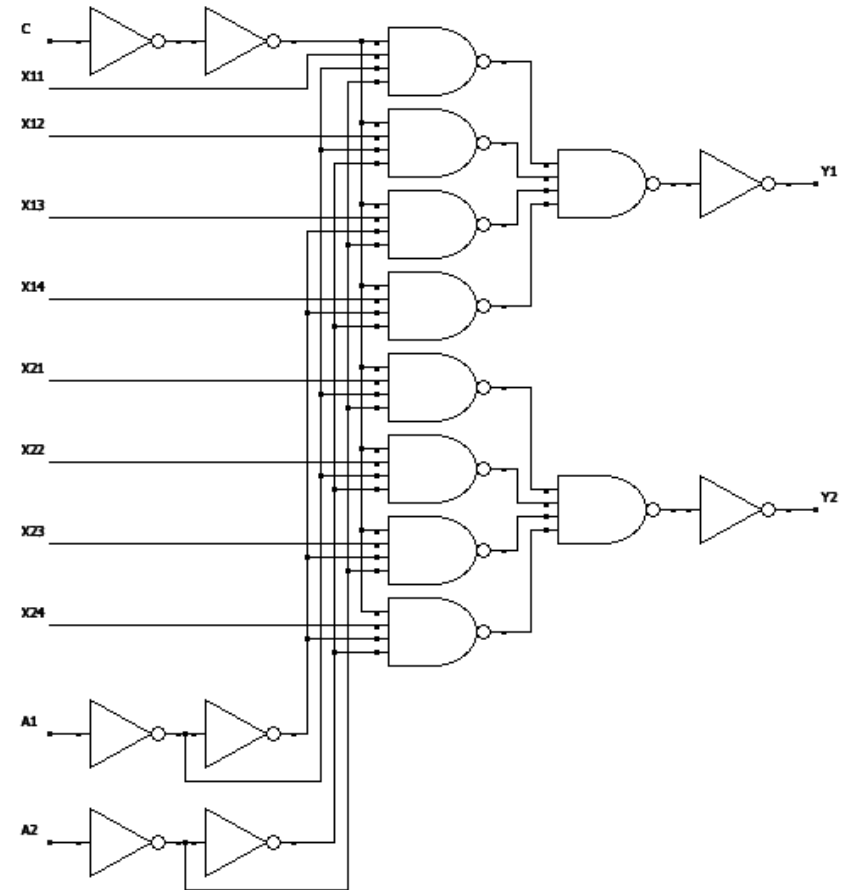


Таблица истинности:

| C | A1 | A2 | Y1               | Y2               |
|---|----|----|------------------|------------------|
| 1 | 0  | 0  | $\overline{X21}$ | $\overline{X21}$ |
| 1 | 0  | 1  | $\overline{X22}$ | $\overline{X22}$ |
| 1 | 1  | 0  | $\overline{X23}$ | $\overline{X23}$ |
| 1 | 1  | 1  | $\overline{X24}$ | $\overline{X24}$ |
| 0 | X  | X  | 1                | 1                |

Вариант 6

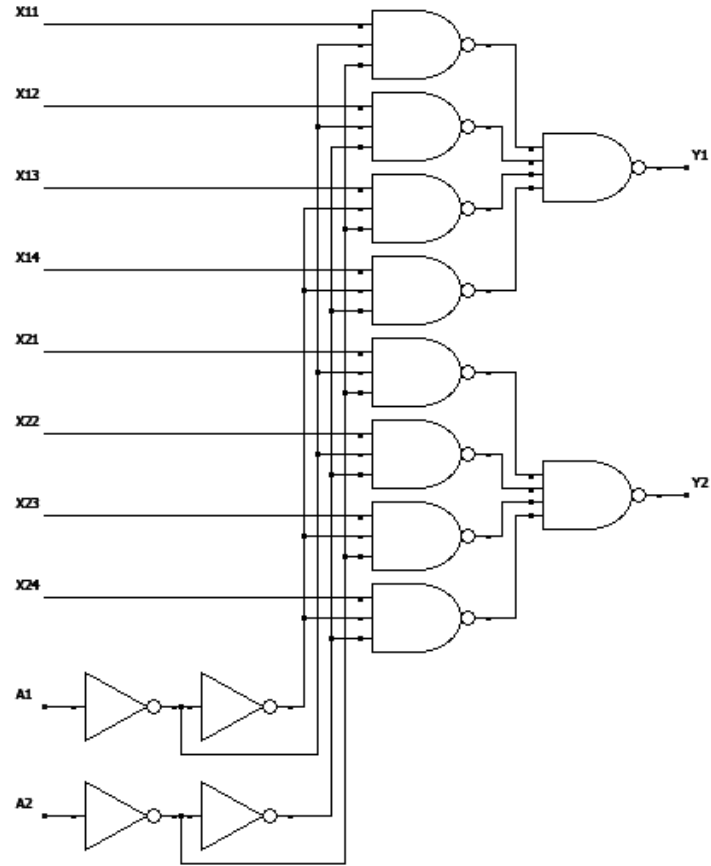


Таблица истинности:

| A1 | A2 | Y1  | Y2  |
|----|----|-----|-----|
| 0  | 0  | X11 | X21 |
| 0  | 1  | X12 | X22 |
| 1  | 0  | X13 | X23 |
| 1  | 1  | X14 | X24 |

Вариант 7

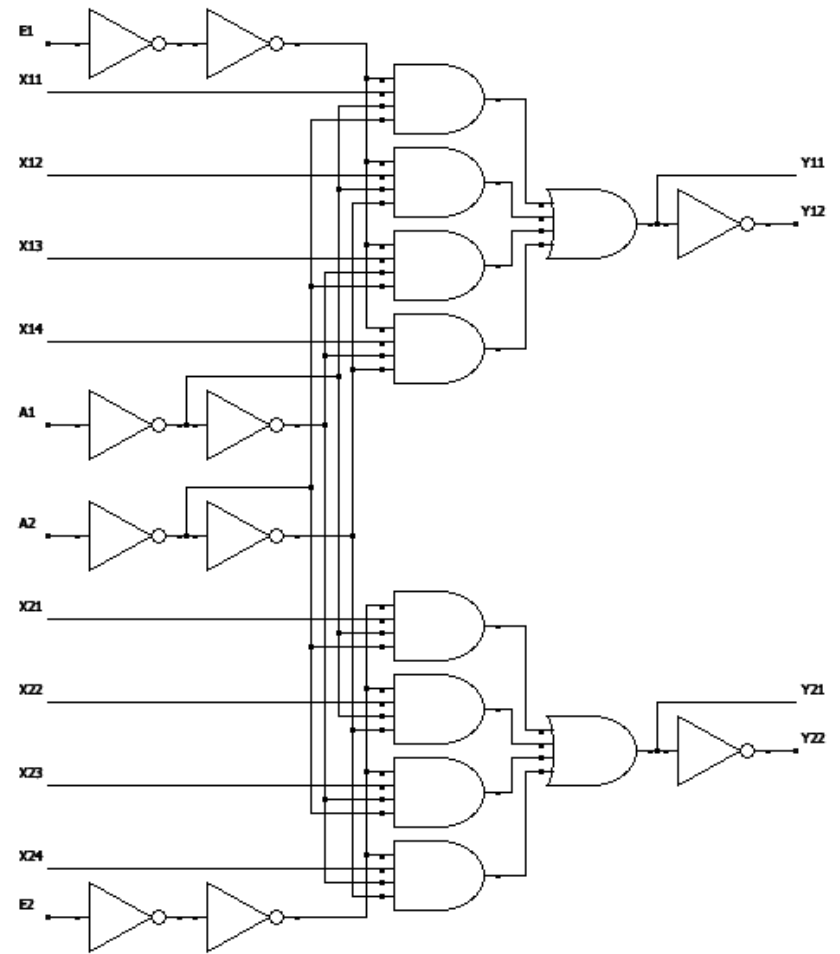


Таблица истинности:

| E1, E2 | A1 | A2 | Y11 | Y12              | Y21 | Y22              |
|--------|----|----|-----|------------------|-----|------------------|
| 0      | X  | X  | 0   | 1                | 0   | 1                |
| 1      | 0  | 0  | X11 | $\overline{X11}$ | X21 | $\overline{X21}$ |
| 1      | 0  | 1  | X12 | $\overline{X12}$ | X22 | $\overline{X22}$ |
| 1      | 1  | 0  | X13 | $\overline{X13}$ | X23 | $\overline{X23}$ |
| 1      | 1  | 1  | X14 | $\overline{X14}$ | X24 | $\overline{X24}$ |

Вариант 9

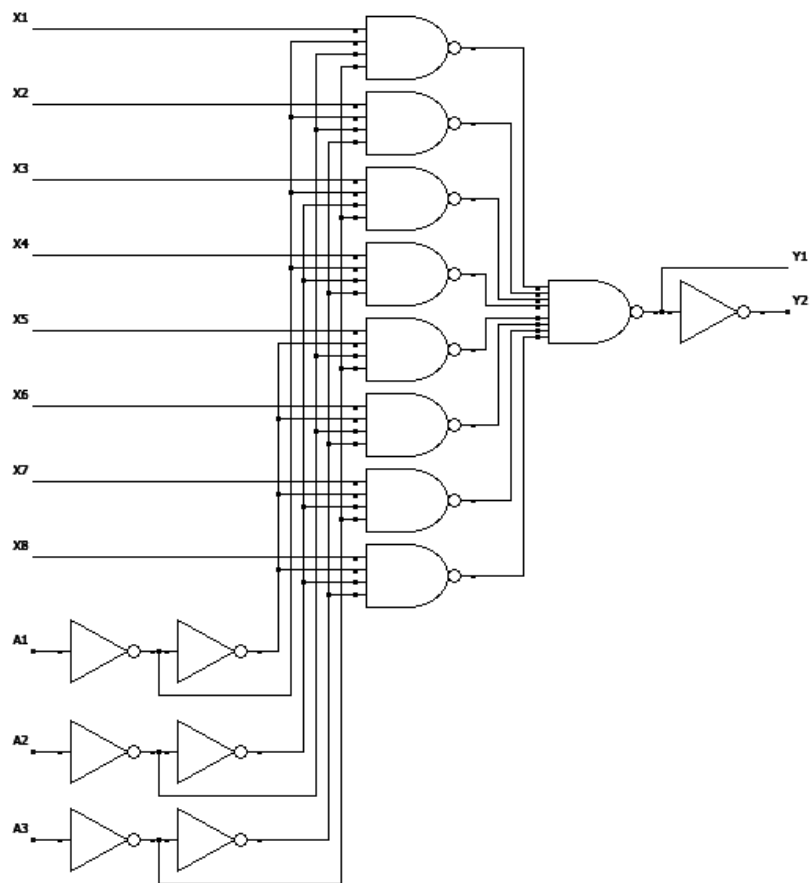


Таблица истинности:

| A1 | A2 | A3 | Y1 | Y2              |
|----|----|----|----|-----------------|
| 0  | 0  | 0  | X1 | $\overline{X1}$ |
| 0  | 0  | 1  | X2 | $\overline{X2}$ |
| 0  | 1  | 0  | X3 | $\overline{X3}$ |
| 0  | 1  | 1  | X4 | $\overline{X4}$ |
| 1  | 0  | 0  | X5 | $\overline{X5}$ |
| 1  | 0  | 1  | X6 | $\overline{X6}$ |
| 1  | 1  | 0  | X7 | $\overline{X7}$ |
| 1  | 1  | 1  | X8 | $\overline{X8}$ |

Вариант 10

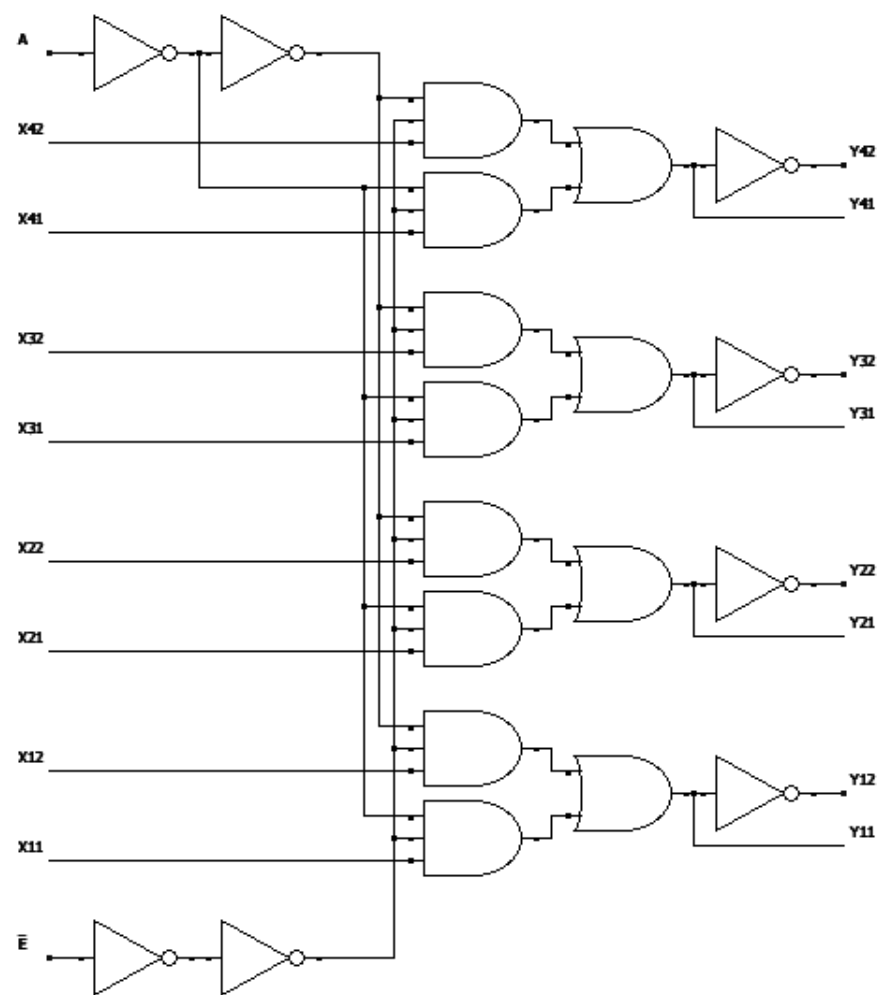


Таблица истинности:

| E | A | Y42              | Y41 | Y32              | Y31 | Y22              | Y21 | Y12              | Y11 |
|---|---|------------------|-----|------------------|-----|------------------|-----|------------------|-----|
| 0 | X | 1                | 0   | 1                | 0   | 1                | 0   | 1                | 0   |
| 1 | 0 | $\overline{X41}$ | X41 | $\overline{X31}$ | X31 | $\overline{X21}$ | X21 | $\overline{X11}$ | X11 |
| 1 | 1 | $\overline{X42}$ | X42 | $\overline{X32}$ | X32 | $\overline{X22}$ | X22 | $\overline{X12}$ | X12 |

Вариант 11

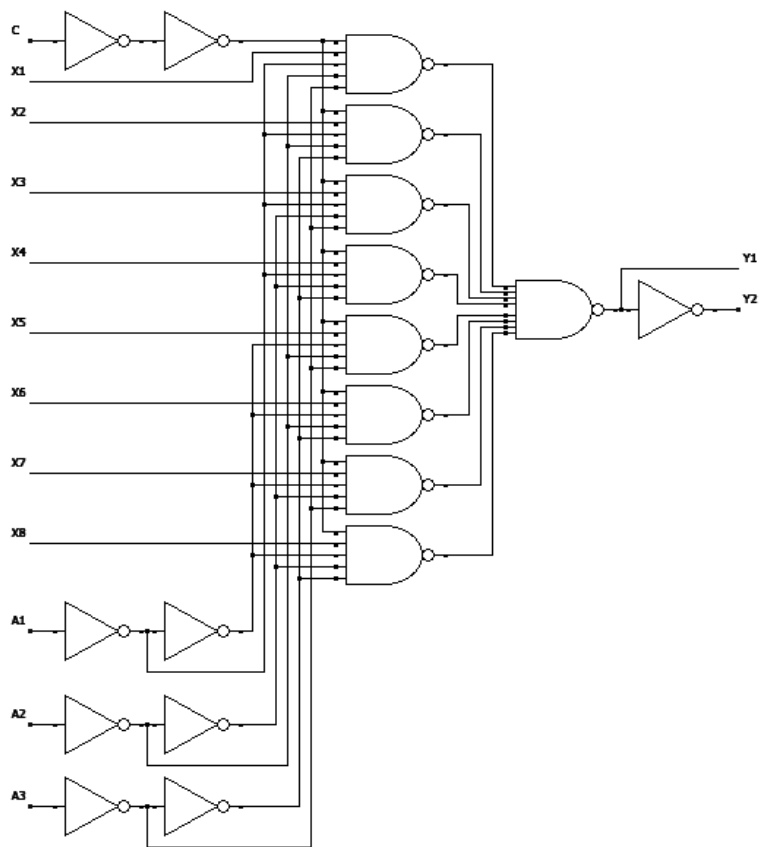


Таблица истинности:

| C | A1 | A2 | A3 | Y1 | Y2              |
|---|----|----|----|----|-----------------|
| 1 | 0  | 0  | 0  | X1 | $\overline{X1}$ |
| 1 | 0  | 0  | 1  | X2 | $\overline{X2}$ |
| 1 | 0  | 1  | 0  | X3 | $\overline{X3}$ |
| 1 | 0  | 1  | 1  | X4 | $\overline{X4}$ |
| 1 | 1  | 0  | 0  | X5 | $\overline{X5}$ |
| 1 | 1  | 0  | 1  | X6 | $\overline{X6}$ |
| 1 | 1  | 1  | 0  | X7 | $\overline{X7}$ |
| 1 | 1  | 1  | 1  | X8 | $\overline{X8}$ |
| 0 | X  | X  | X  | 0  | 1               |

Вариант 12

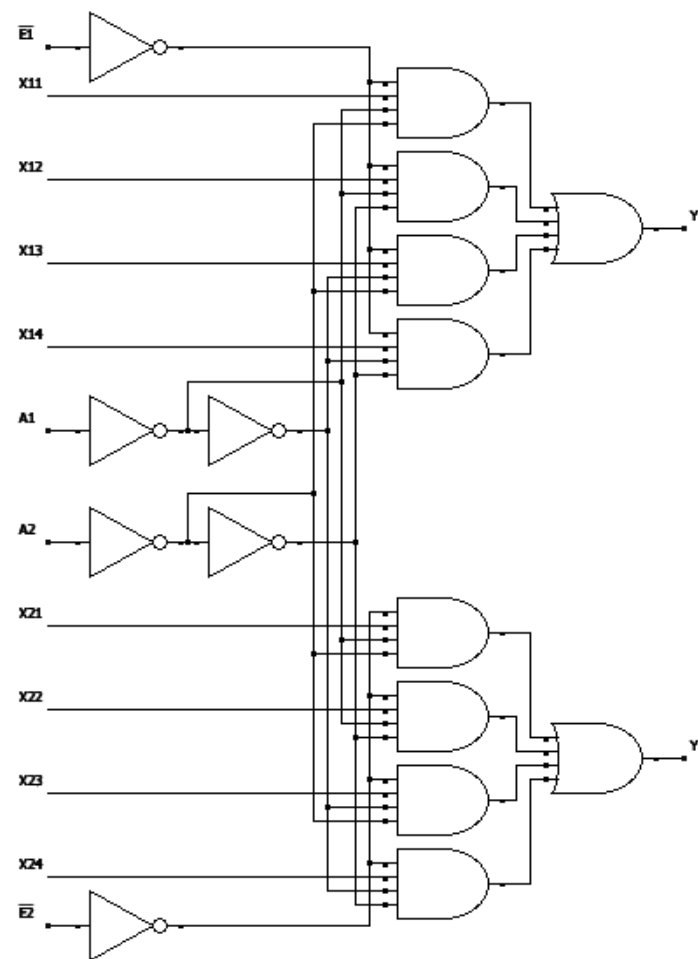


Таблица истинности:

| E1, E2 | A1 | A2 | Y1  | Y2  |
|--------|----|----|-----|-----|
| 1      | X  | X  | 0   | 0   |
| 1      | 0  | 0  | X11 | X21 |
| 1      | 0  | 1  | X12 | X22 |
| 1      | 1  | 0  | X13 | X23 |
| 1      | 1  | 1  | X14 | X24 |

Вариант 13

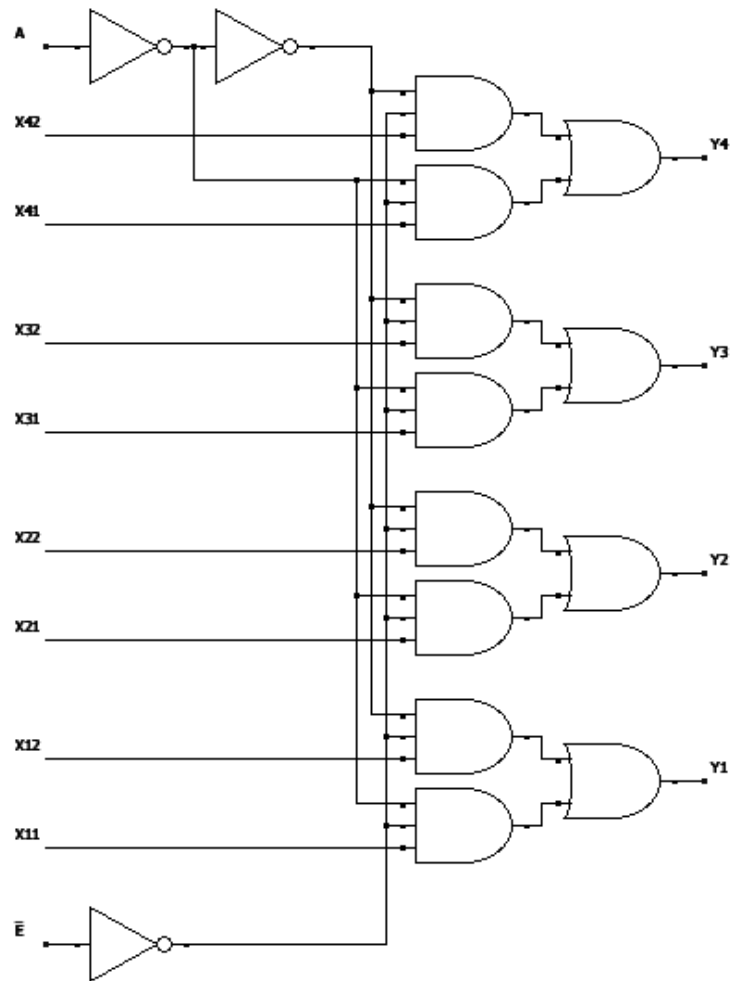


Таблица истинности:

| E | A | Y4  | Y3  | Y2  | Y1  |
|---|---|-----|-----|-----|-----|
| 0 | X | 0   | 0   | 0   | 0   |
| 1 | 0 | X41 | X31 | X21 | X11 |
| 1 | 1 | X42 | X32 | X22 | X12 |

Вариант 14

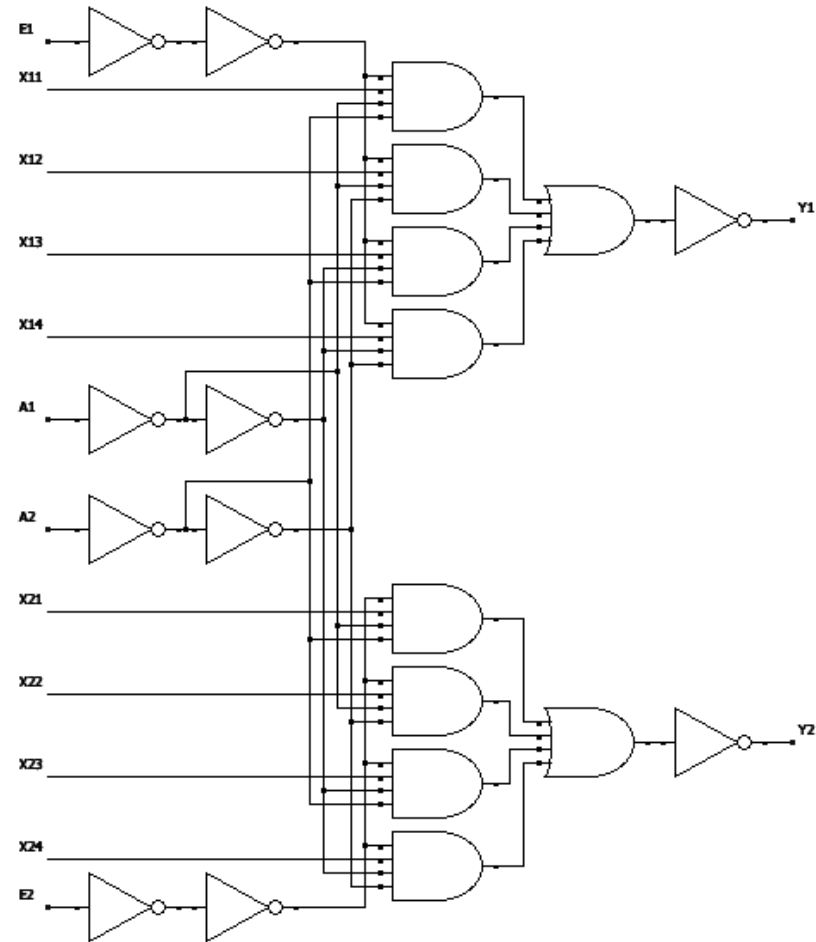


Таблица истинности:

| E1, E2 | A1 | A2 | Y1               | Y2               |
|--------|----|----|------------------|------------------|
| 0      | X  | X  | 1                | 1                |
| 1      | 0  | 0  | $\overline{X11}$ | $\overline{X21}$ |
| 1      | 0  | 1  | $\overline{X12}$ | $\overline{X22}$ |
| 1      | 1  | 0  | $\overline{X13}$ | $\overline{X23}$ |
| 1      | 1  | 1  | $\overline{X14}$ | $\overline{X24}$ |

Вариант 15

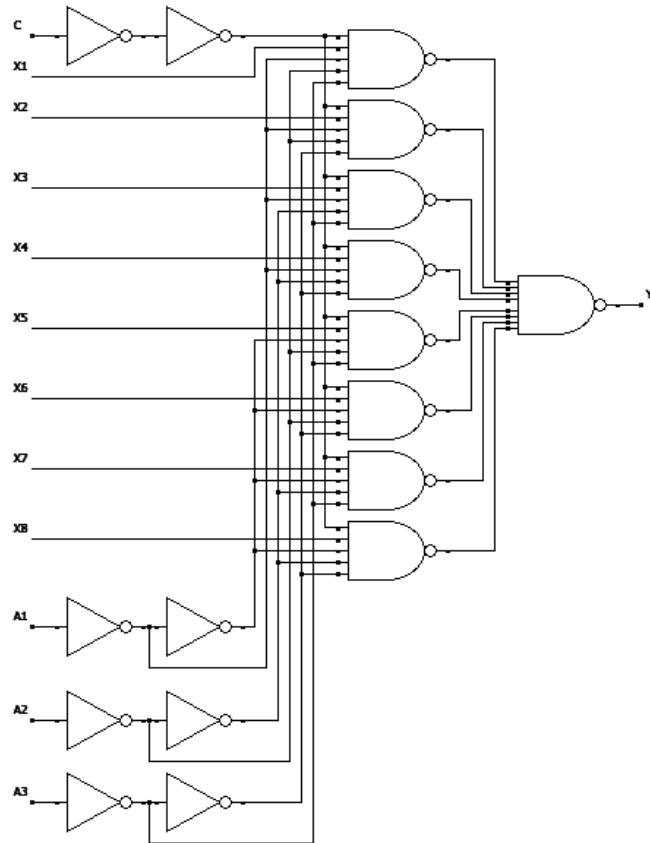


Таблица истинности:

| C | A1 | A2 | A3 | Y  |
|---|----|----|----|----|
| 1 | 0  | 0  | 0  | X1 |
| 1 | 0  | 0  | 1  | X2 |
| 1 | 0  | 1  | 0  | X3 |
| 1 | 0  | 1  | 1  | X4 |
| 1 | 1  | 0  | 0  | X5 |
| 1 | 1  | 0  | 1  | X6 |
| 1 | 1  | 1  | 0  | X7 |
| 1 | 1  | 1  | 1  | X8 |
| 0 | X  | X  | X  | 0  |

Вариант 16

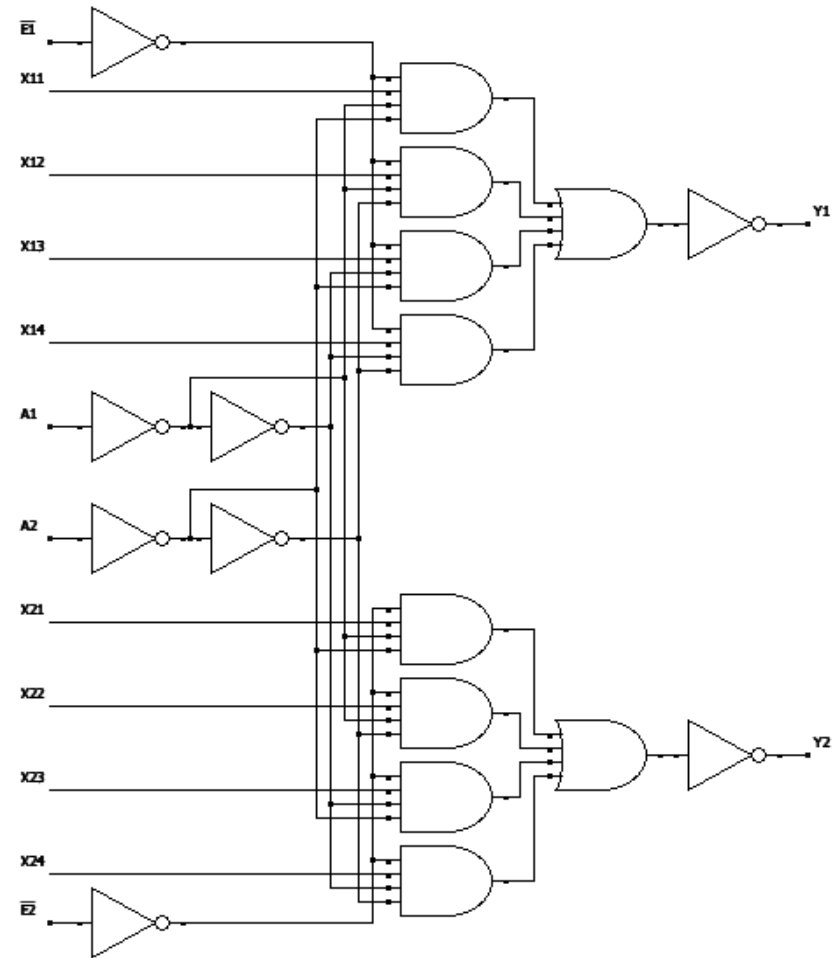


Таблица истинности:

| E1, E2 | A1 | A2 | Y1               | Y2               |
|--------|----|----|------------------|------------------|
| 0      | X  | X  | 1                | 1                |
| 1      | 0  | 0  | $\overline{X11}$ | $\overline{X21}$ |
| 1      | 0  | 1  | $\overline{X12}$ | $\overline{X22}$ |
| 1      | 1  | 0  | $\overline{X13}$ | $\overline{X23}$ |
| 1      | 1  | 1  | $\overline{X14}$ | $\overline{X24}$ |

Вариант 17

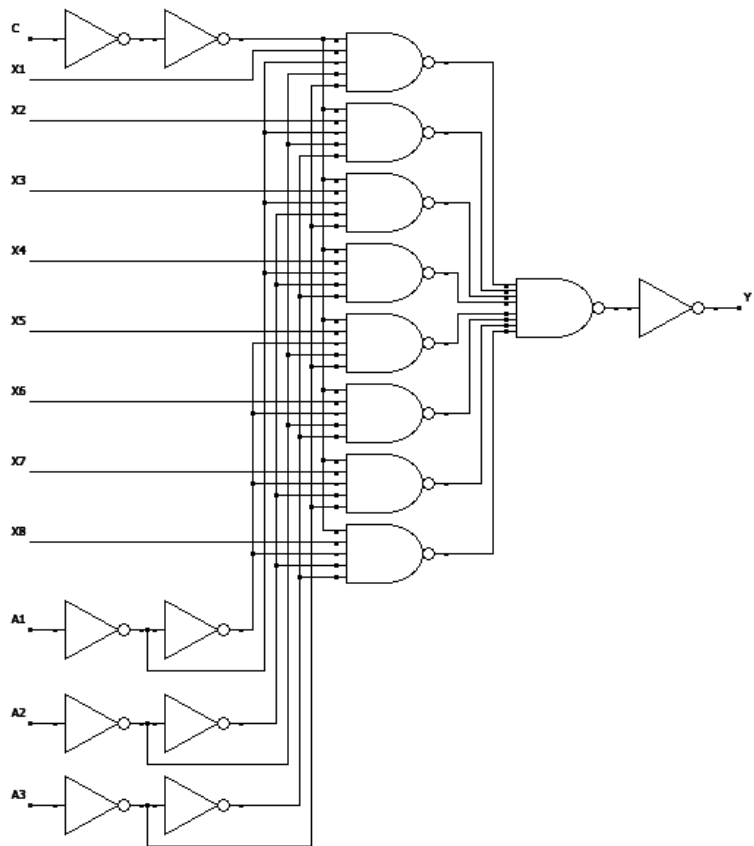


Таблица истинности:

| C | A1 | A2 | A3 | Y               |
|---|----|----|----|-----------------|
| 1 | 0  | 0  | 0  | $\overline{X1}$ |
| 1 | 0  | 0  | 1  | $\overline{X2}$ |
| 1 | 0  | 1  | 0  | $\overline{X3}$ |
| 1 | 0  | 1  | 1  | $\overline{X4}$ |
| 1 | 1  | 0  | 0  | $\overline{X5}$ |
| 1 | 1  | 0  | 1  | $\overline{X6}$ |
| 1 | 1  | 1  | 0  | $\overline{X7}$ |
| 1 | 1  | 1  | 1  | $\overline{X8}$ |
| 0 | X  | X  | X  | 1               |

Вариант 18

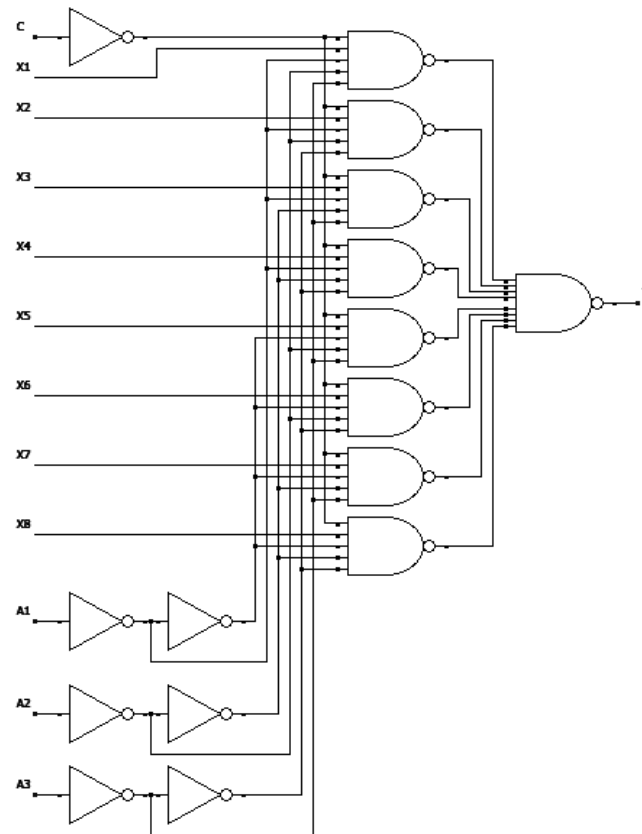


Таблица истинности:

| C | A1 | A2 | A3 | Y  |
|---|----|----|----|----|
| 0 | 0  | 0  | 0  | X1 |
| 0 | 0  | 0  | 1  | X2 |
| 0 | 0  | 1  | 0  | X3 |
| 0 | 0  | 1  | 1  | X4 |
| 0 | 1  | 0  | 0  | X5 |
| 0 | 1  | 0  | 1  | X6 |
| 0 | 1  | 1  | 0  | X7 |
| 0 | 1  | 1  | 1  | X8 |
| 1 | X  | X  | X  | 0  |



Вариант 20

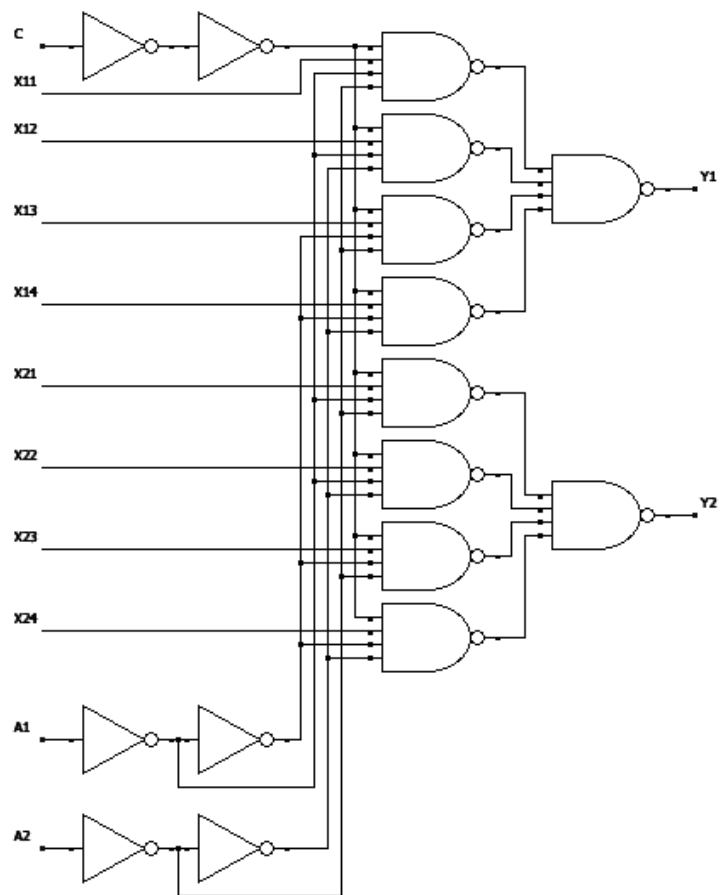


Таблица истинности:

| C | A1 | A2 | Y1  | Y2  |
|---|----|----|-----|-----|
| 1 | 0  | 0  | X11 | X21 |
| 1 | 0  | 1  | X12 | X22 |
| 1 | 1  | 0  | X13 | X23 |
| 1 | 1  | 1  | X14 | X24 |
| 0 | X  | X  | 0   | 0   |

Вариант 21

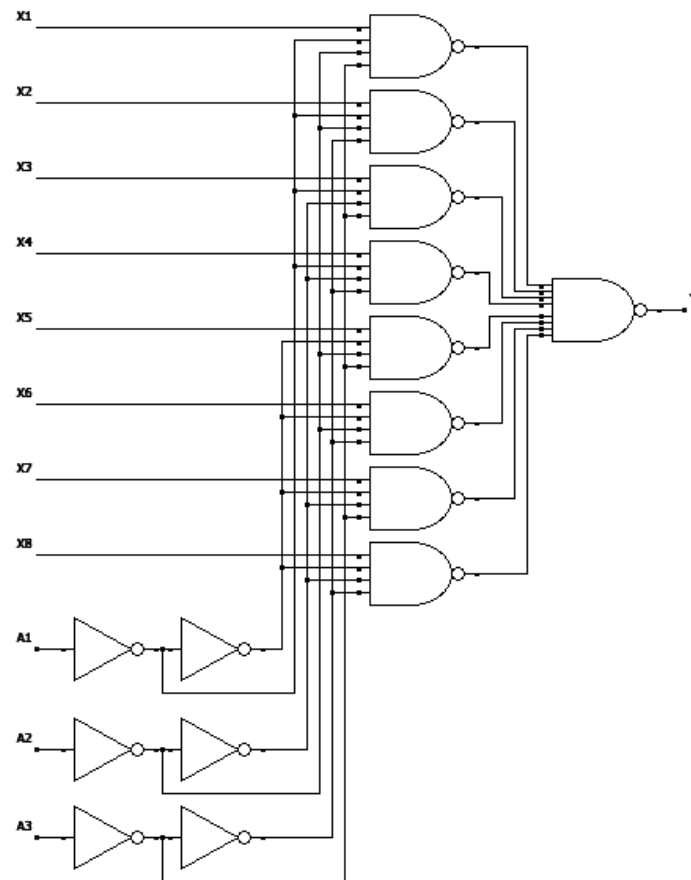


Таблица истинности:

| A1 | A2 | A3 | Y  |
|----|----|----|----|
| 0  | 0  | 0  | X1 |
| 0  | 0  | 1  | X2 |
| 0  | 1  | 0  | X3 |
| 0  | 1  | 1  | X4 |
| 1  | 0  | 0  | X5 |
| 1  | 0  | 1  | X6 |
| 1  | 1  | 0  | X7 |
| 1  | 1  | 1  | X8 |

Вариант 22

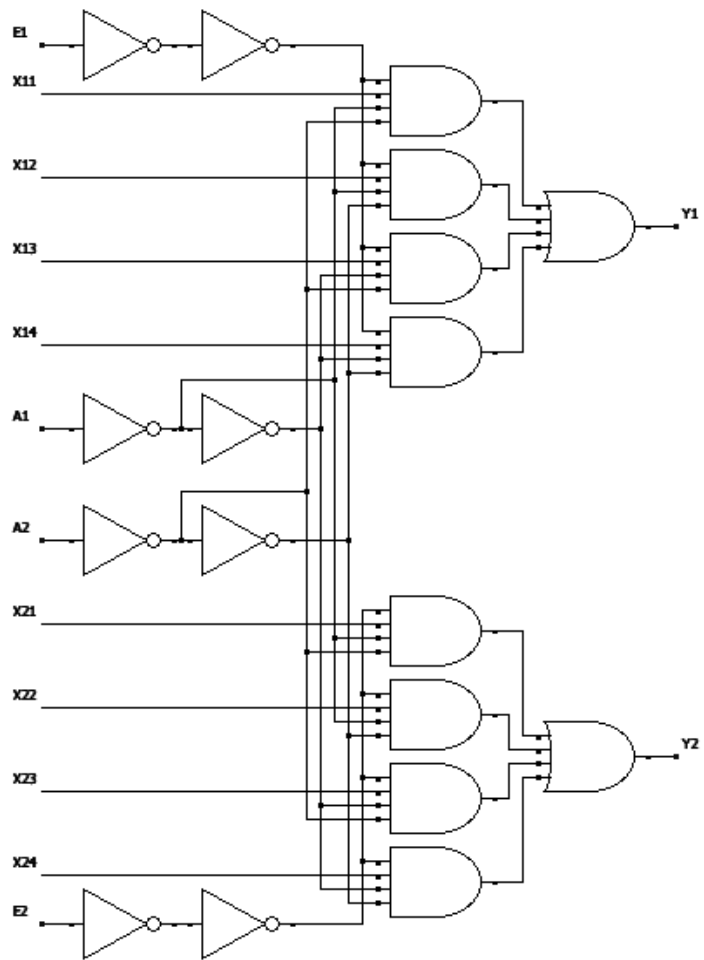


Таблица истинности:

| E1, E2 | A1 | A2 | Y1  | Y2  |
|--------|----|----|-----|-----|
| 0      | X  | X  | 0   | 0   |
| 1      | 0  | 0  | X11 | X21 |
| 1      | 0  | 1  | X12 | X22 |
| 1      | 1  | 0  | X13 | X23 |
| 1      | 1  | 1  | X14 | X24 |

Вариант 23

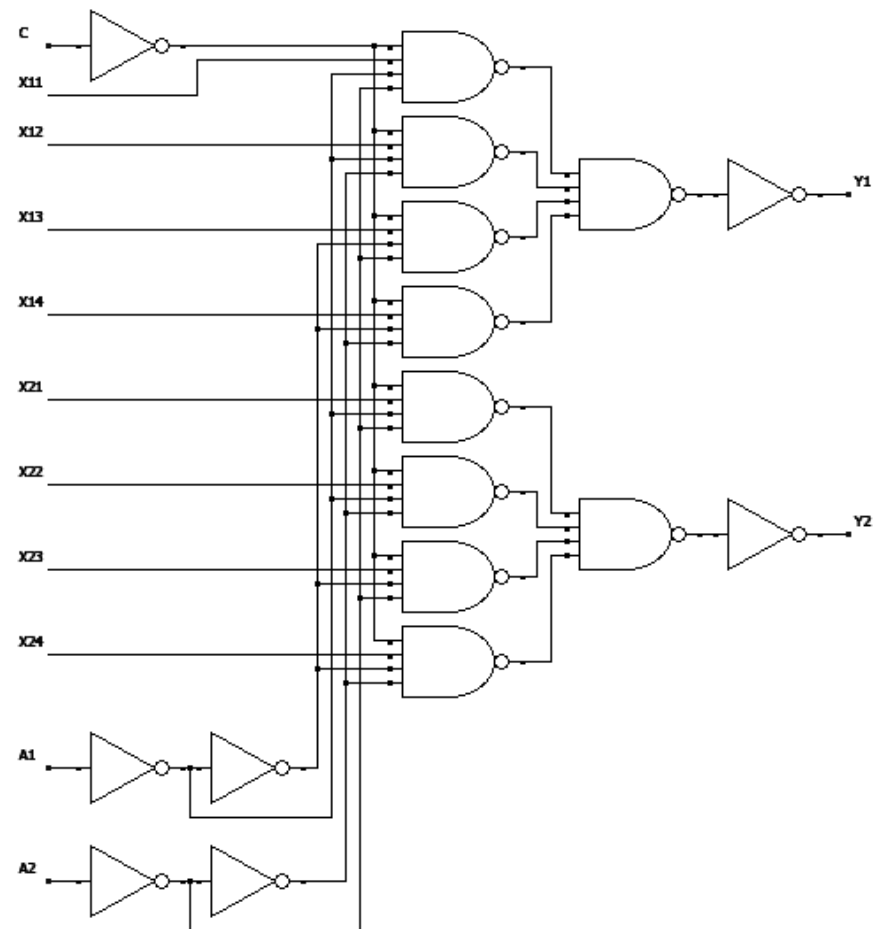


Таблица истинности:

| C | A1 | A2 | Y1               | Y2               |
|---|----|----|------------------|------------------|
| 0 | 0  | 0  | $\overline{X11}$ | $\overline{X21}$ |
| 0 | 0  | 1  | $\overline{X12}$ | $\overline{X22}$ |
| 0 | 1  | 0  | $\overline{X13}$ | $\overline{X23}$ |
| 0 | 1  | 1  | $\overline{X14}$ | $\overline{X24}$ |
| 1 | X  | X  | 1                | 1                |