

Вариант 3

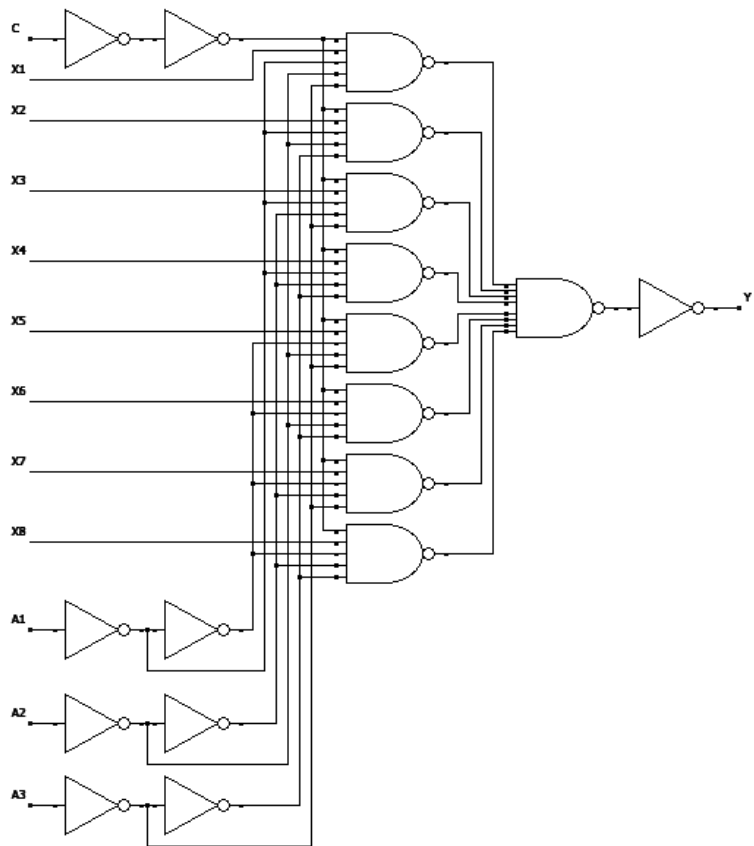


Таблица истинности:

| C | A1 | A2 | A3 | Y |
|---|----|----|----|-----------------|
| 1 | 0 | 0 | 0 | $\overline{X1}$ |
| 1 | 0 | 0 | 1 | $\overline{X2}$ |
| 1 | 0 | 1 | 0 | $\overline{X3}$ |
| 1 | 0 | 1 | 1 | $\overline{X4}$ |
| 1 | 1 | 0 | 0 | $\overline{X5}$ |
| 1 | 1 | 0 | 1 | $\overline{X6}$ |
| 1 | 1 | 1 | 0 | $\overline{X7}$ |
| 1 | 1 | 1 | 1 | $\overline{X8}$ |
| 0 | X | X | X | 1 |

Вариант 4

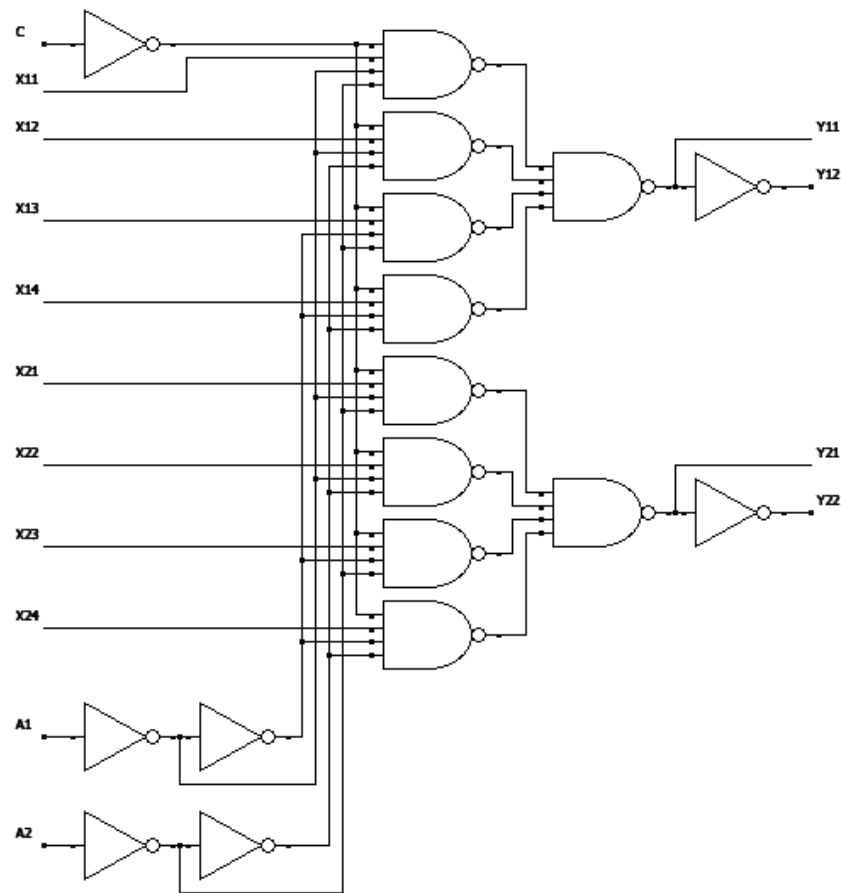


Таблица истинности:

| C | A1 | A2 | Y11 | Y12 | Y21 | Y22 |
|---|----|----|-----|------------------|-----|------------------|
| 0 | 0 | 0 | X11 | $\overline{X11}$ | X21 | $\overline{X21}$ |
| 0 | 0 | 1 | X12 | $\overline{X12}$ | X22 | $\overline{X22}$ |
| 0 | 1 | 0 | X13 | $\overline{X13}$ | X23 | $\overline{X23}$ |
| 0 | 1 | 1 | X14 | $\overline{X14}$ | X24 | $\overline{X24}$ |
| 1 | X | X | 0 | 1 | 0 | 1 |

Вариант 6

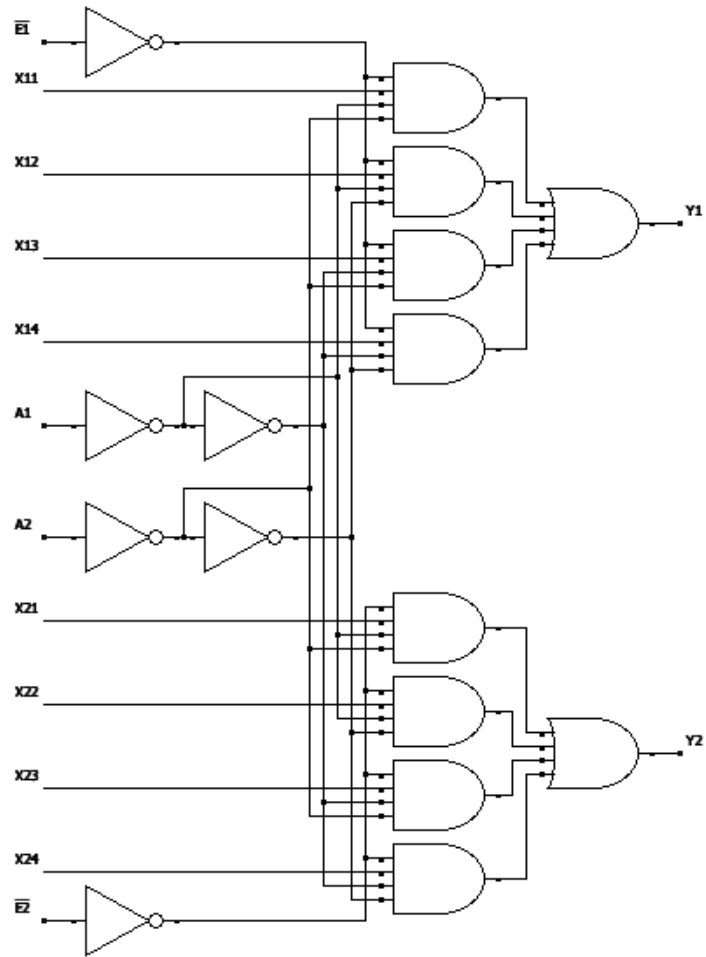


Таблица истинности:

| E1, E2 | A1 | A2 | Y1 | Y2 |
|--------|----|----|-----|-----|
| 1 | X | X | 0 | 0 |
| 1 | 0 | 0 | X11 | X21 |
| 1 | 0 | 1 | X12 | X22 |
| 1 | 1 | 0 | X13 | X23 |
| 1 | 1 | 1 | X14 | X24 |

Вариант 7

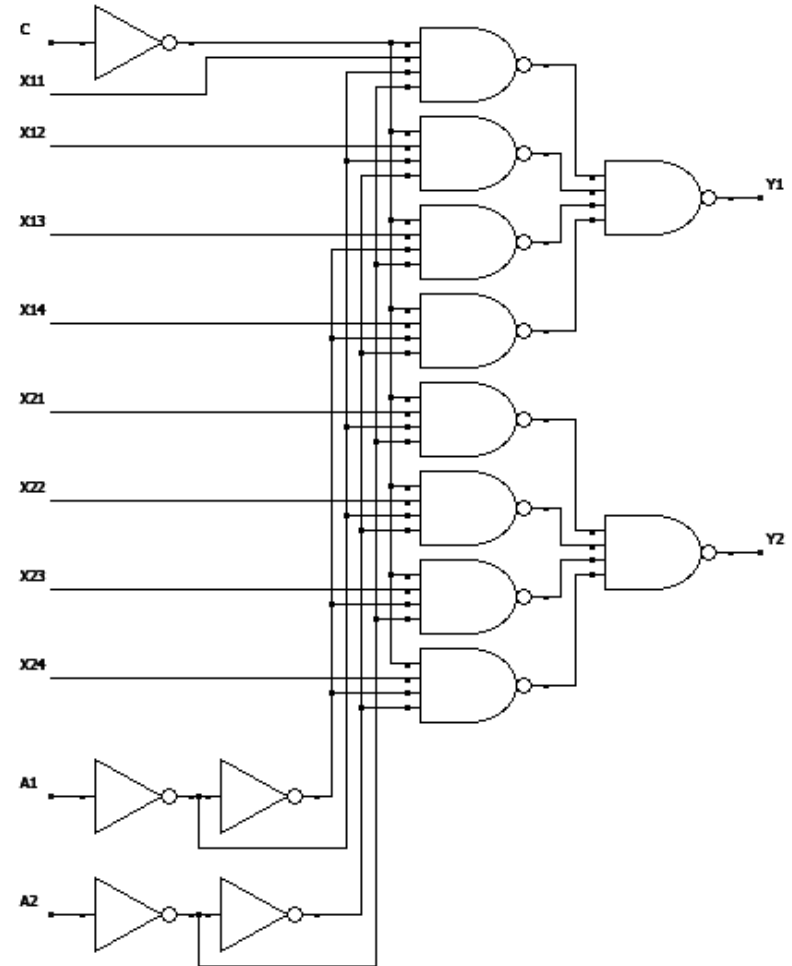


Таблица истинности:

| C | A1 | A2 | Y1 | Y2 |
|---|----|----|-----|-----|
| 0 | 0 | 0 | X11 | X21 |
| 0 | 0 | 1 | X12 | X22 |
| 0 | 1 | 0 | X13 | X23 |
| 0 | 1 | 1 | X14 | X24 |
| 1 | X | X | 0 | 0 |

Вариант 8

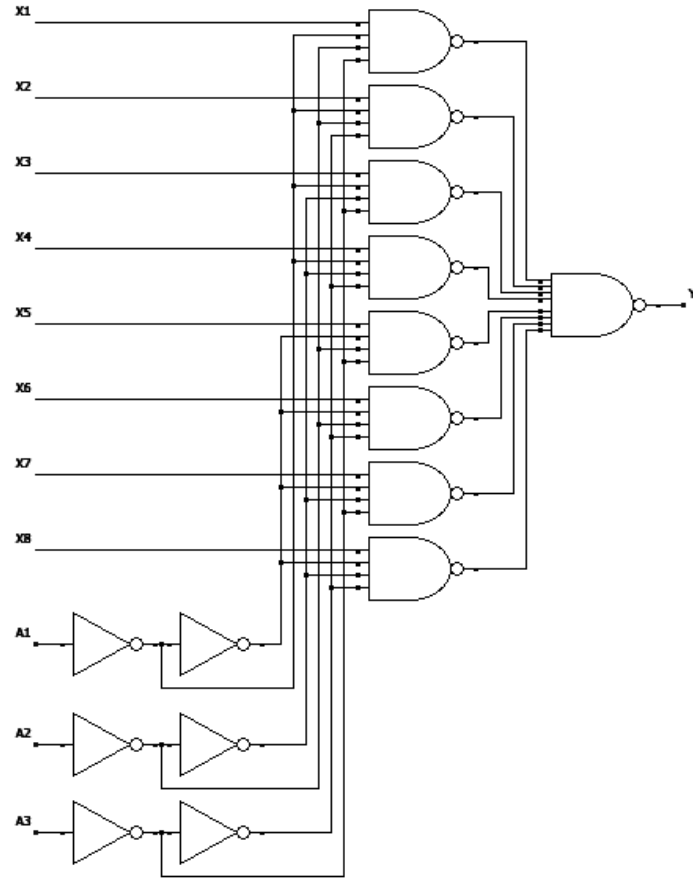


Таблица истинности:

| A1 | A2 | A3 | Y |
|----|----|----|----|
| 0 | 0 | 0 | X1 |
| 0 | 0 | 1 | X2 |
| 0 | 1 | 0 | X3 |
| 0 | 1 | 1 | X4 |
| 1 | 0 | 0 | X5 |
| 1 | 0 | 1 | X6 |
| 1 | 1 | 0 | X7 |
| 1 | 1 | 1 | X8 |

Вариант 9

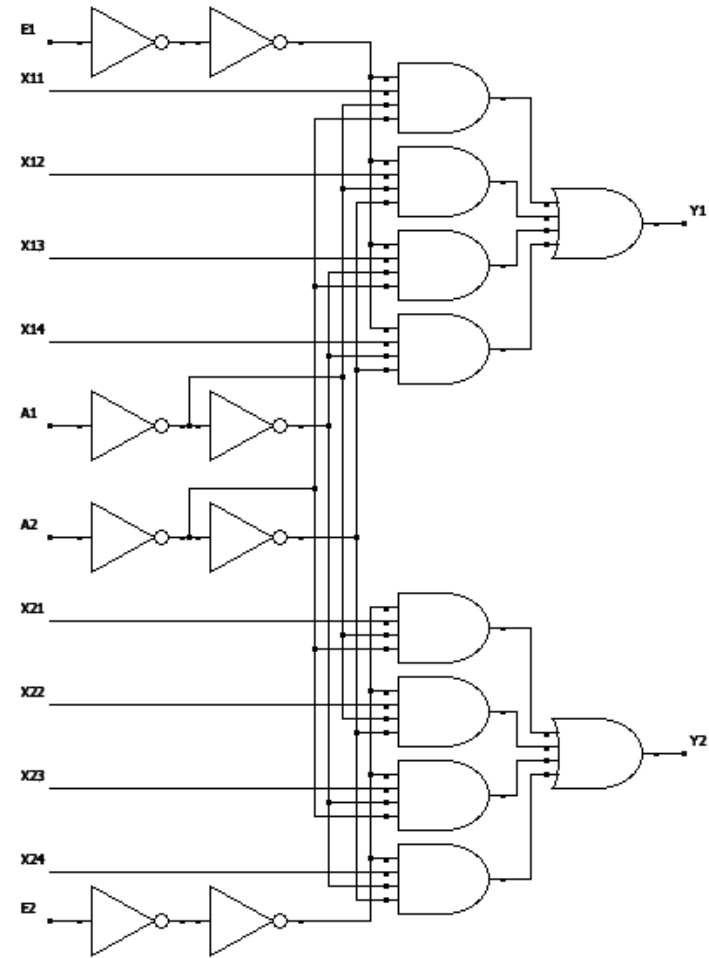


Таблица истинности:

| E1, E2 | A1 | A2 | Y1 | Y2 |
|--------|----|----|-----|-----|
| 0 | X | X | 0 | 0 |
| 1 | 0 | 0 | X11 | X21 |
| 1 | 0 | 1 | X12 | X22 |
| 1 | 1 | 0 | X13 | X23 |
| 1 | 1 | 1 | X14 | X24 |

Вариант 10

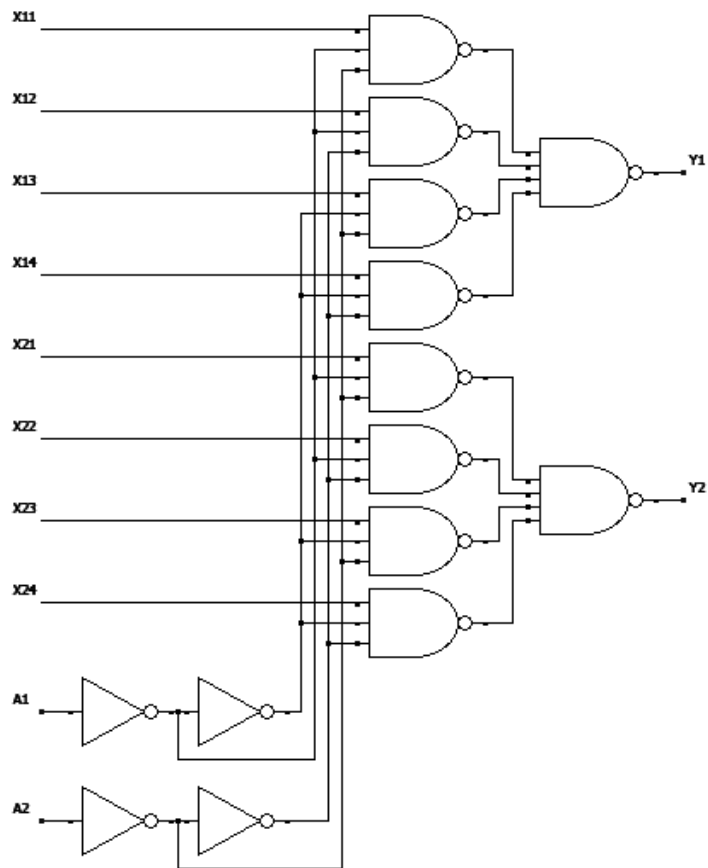


Таблица истинности:

| A1 | A2 | Y1 | Y2 |
|----|----|-----|-----|
| 0 | 0 | X11 | X21 |
| 0 | 1 | X12 | X22 |
| 1 | 0 | X13 | X23 |
| 1 | 1 | X14 | X24 |

Вариант 12

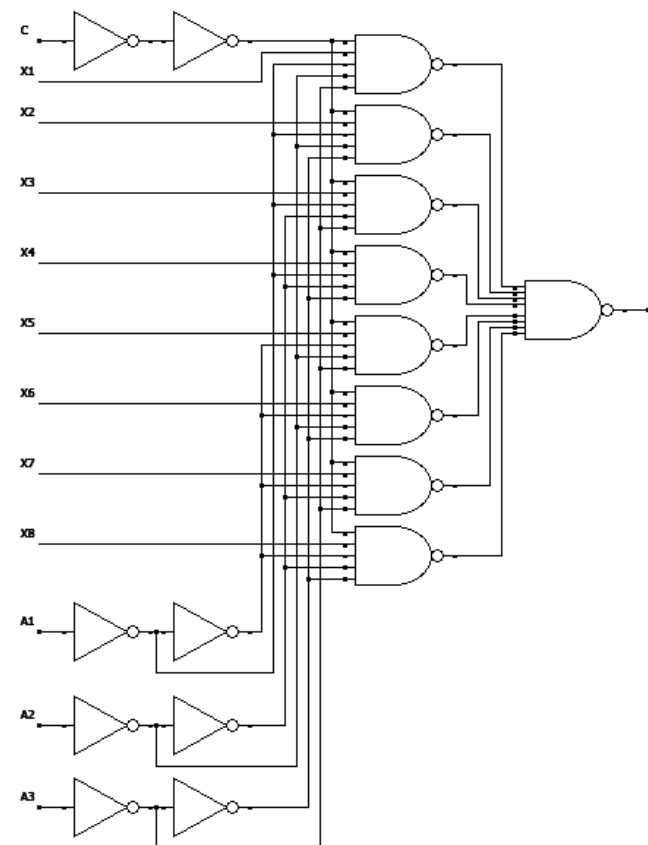


Таблица истинности:

| C | A1 | A2 | A3 | Y |
|---|----|----|----|----|
| 1 | 0 | 0 | 0 | X1 |
| 1 | 0 | 0 | 1 | X2 |
| 1 | 0 | 1 | 0 | X3 |
| 1 | 0 | 1 | 1 | X4 |
| 1 | 1 | 0 | 0 | X5 |
| 1 | 1 | 0 | 1 | X6 |
| 1 | 1 | 1 | 0 | X7 |
| 1 | 1 | 1 | 1 | X8 |
| 0 | X | X | X | 0 |

Вариант 13

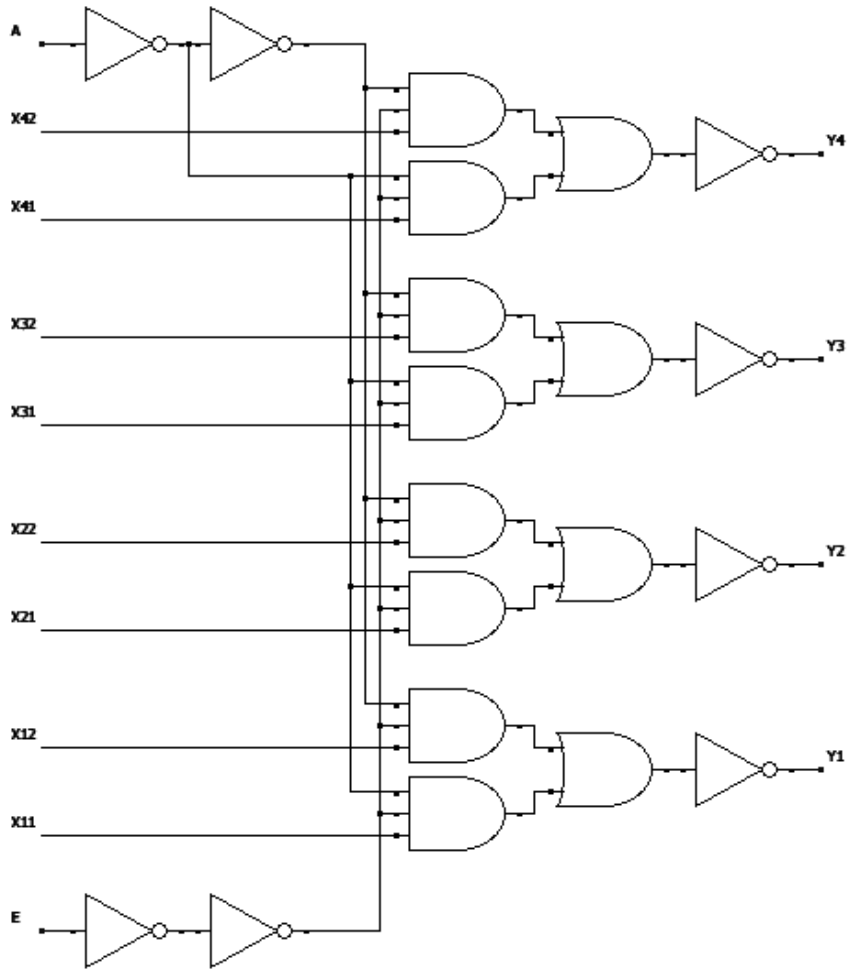


Таблица истинности:

| E | A | Y4 | Y3 | Y2 | Y1 |
|---|---|------------------|------------------|------------------|------------------|
| 0 | X | 1 | 1 | 1 | 1 |
| 1 | 0 | $\overline{X41}$ | $\overline{X31}$ | $\overline{X21}$ | $\overline{X11}$ |
| 1 | 1 | $\overline{X42}$ | $\overline{X32}$ | $\overline{X22}$ | $\overline{X12}$ |

Вариант 14

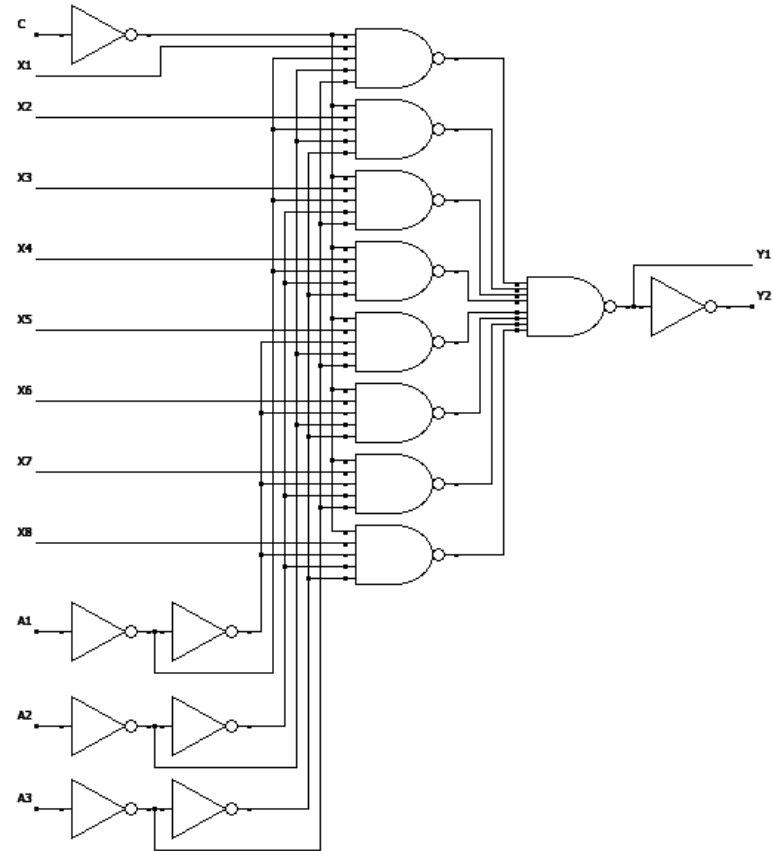


Таблица истинности:

| C | A1 | A2 | A3 | Y1 | Y2 |
|---|----|----|----|----|-----------------|
| 0 | 0 | 0 | 0 | X1 | $\overline{X1}$ |
| 0 | 0 | 0 | 1 | X2 | $\overline{X2}$ |
| 0 | 0 | 1 | 0 | X3 | $\overline{X3}$ |
| 0 | 0 | 1 | 1 | X4 | $\overline{X4}$ |
| 0 | 1 | 0 | 0 | X5 | $\overline{X5}$ |
| 0 | 1 | 0 | 1 | X6 | $\overline{X6}$ |
| 0 | 1 | 1 | 0 | X7 | $\overline{X7}$ |
| 0 | 1 | 1 | 1 | X8 | $\overline{X8}$ |
| 1 | X | X | X | 0 | 1 |

Вариант 15

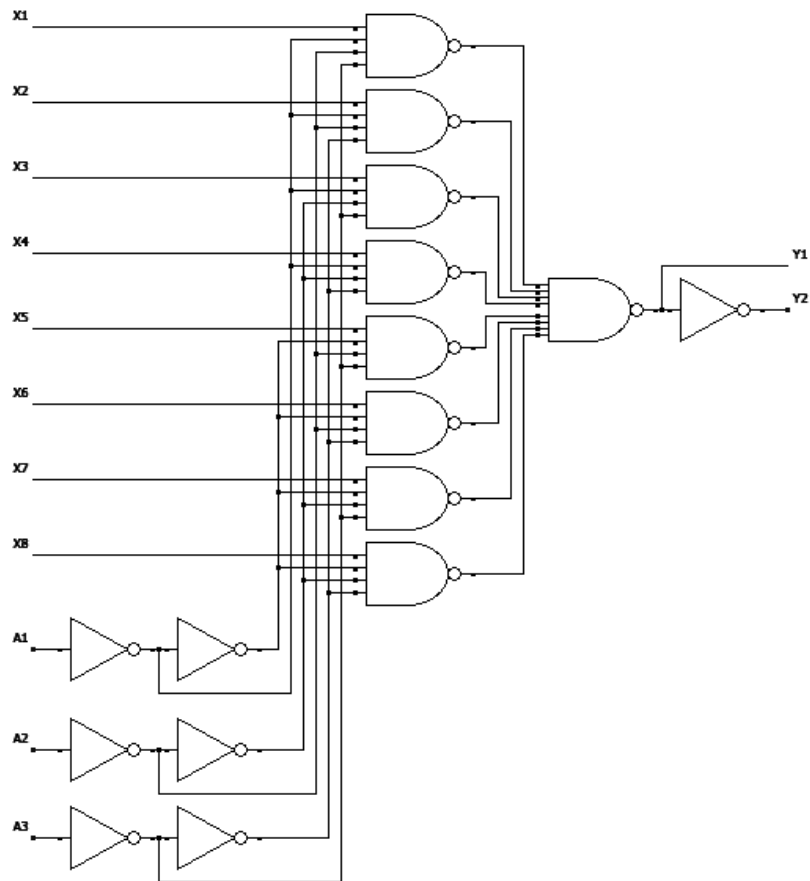


Таблица истинности:

| A1 | A2 | A3 | Y1 | Y2 |
|----|----|----|----|-----------------|
| 0 | 0 | 0 | X1 | $\overline{X1}$ |
| 0 | 0 | 1 | X2 | $\overline{X2}$ |
| 0 | 1 | 0 | X3 | $\overline{X3}$ |
| 0 | 1 | 1 | X4 | $\overline{X4}$ |
| 1 | 0 | 0 | X5 | $\overline{X5}$ |
| 1 | 0 | 1 | X6 | $\overline{X6}$ |
| 1 | 1 | 0 | X7 | $\overline{X7}$ |
| 1 | 1 | 1 | X8 | $\overline{X8}$ |

Вариант 16

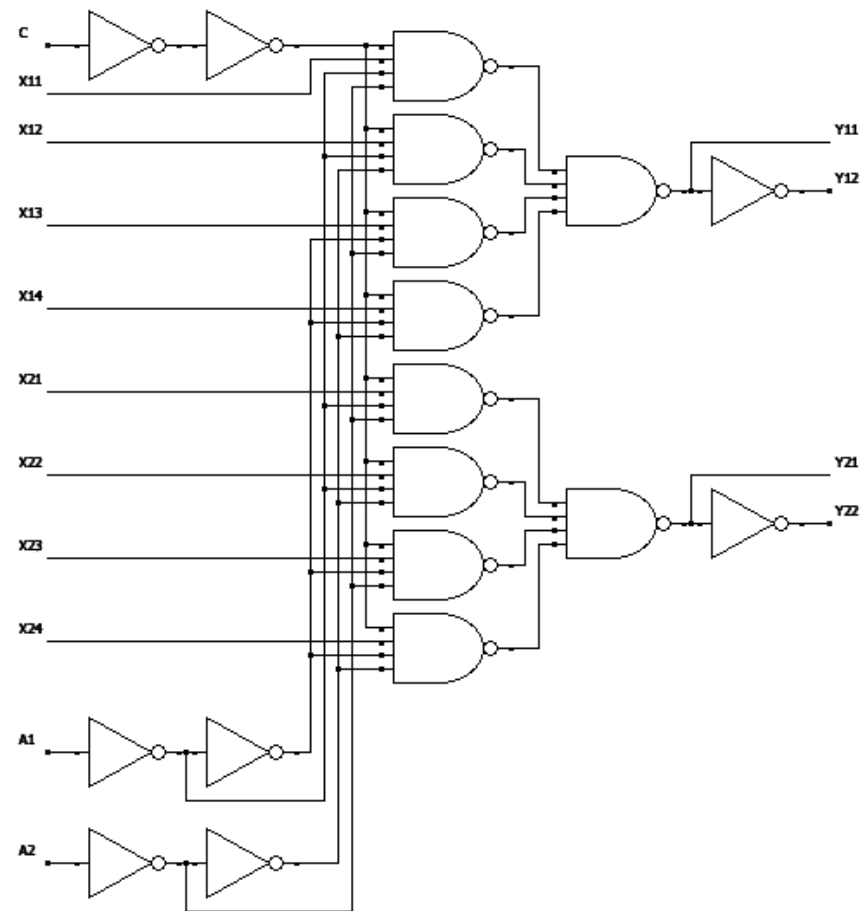


Таблица истинности:

| C | A1 | A2 | Y11 | Y12 | Y21 | Y22 |
|---|----|----|-----|------------------|-----|------------------|
| 1 | 0 | 0 | X11 | $\overline{X11}$ | X21 | $\overline{X21}$ |
| 1 | 0 | 1 | X12 | $\overline{X12}$ | X22 | $\overline{X22}$ |
| 1 | 1 | 0 | X13 | $\overline{X13}$ | X23 | $\overline{X23}$ |
| 1 | 1 | 1 | X14 | $\overline{X14}$ | X24 | $\overline{X24}$ |
| 0 | X | X | 0 | 1 | 0 | 1 |

Вариант 17

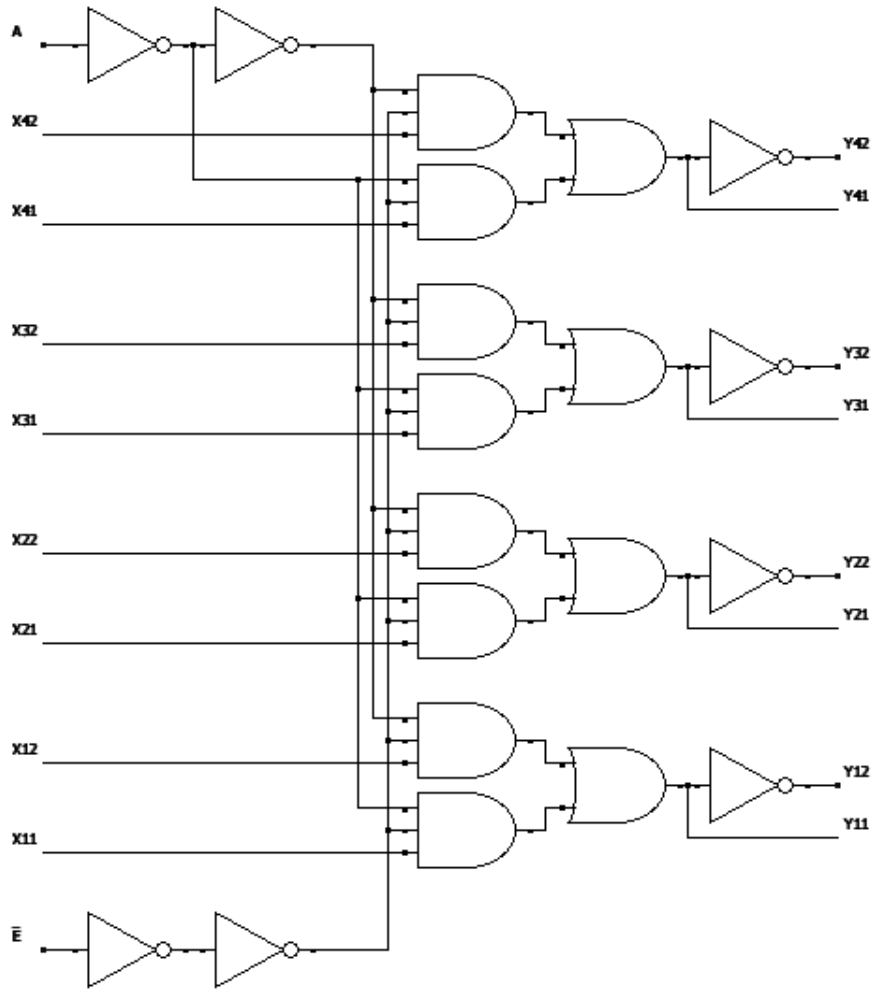


Таблица истинности:

| E | A | Y42 | Y41 | Y32 | Y31 | Y22 | Y21 | Y12 | Y11 |
|---|---|------------------|-----|------------------|-----|------------------|-----|------------------|-----|
| 0 | X | 1 | 0 | 1 | 0 | 1 | 0 | 1 | 0 |
| 1 | 0 | $\overline{X41}$ | X41 | $\overline{X31}$ | X31 | $\overline{X21}$ | X21 | $\overline{X11}$ | X11 |
| 1 | 1 | $\overline{X42}$ | X42 | $\overline{X32}$ | X32 | $\overline{X22}$ | X22 | $\overline{X12}$ | X12 |

Вариант 19

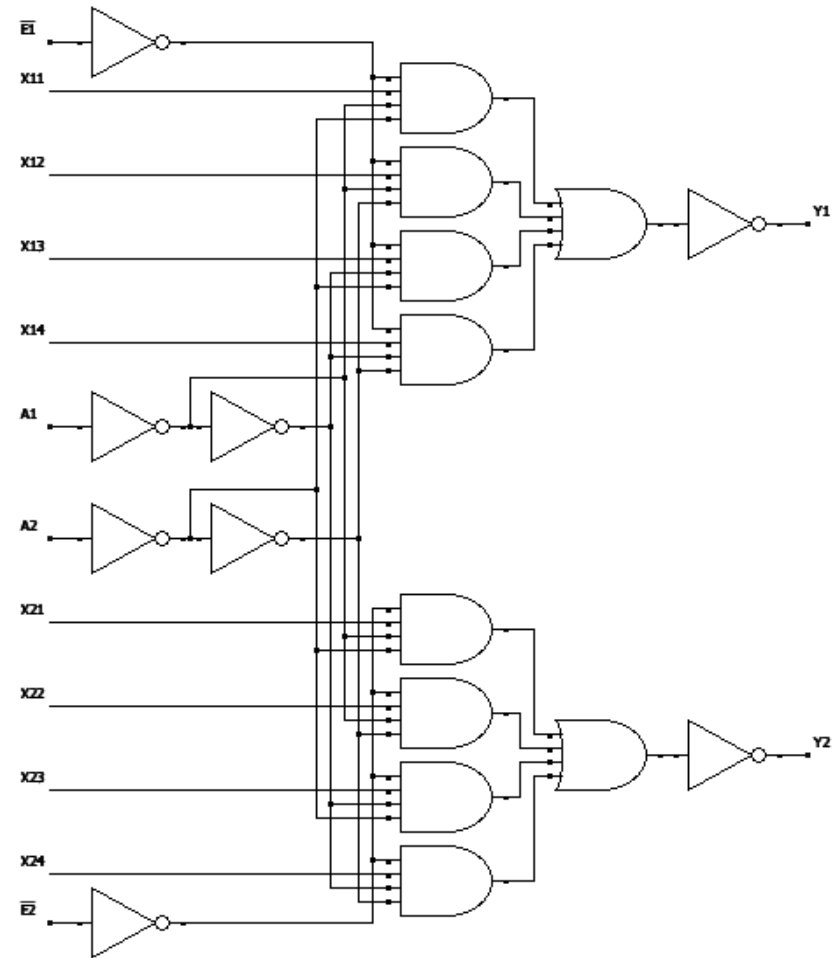


Таблица истинности:

| E1, E2 | A1 | A2 | Y1 | Y2 |
|--------|----|----|------------------|------------------|
| 0 | X | X | 1 | 1 |
| 1 | 0 | 0 | $\overline{X11}$ | $\overline{X21}$ |
| 1 | 0 | 1 | $\overline{X12}$ | $\overline{X22}$ |
| 1 | 1 | 0 | $\overline{X13}$ | $\overline{X23}$ |
| 1 | 1 | 1 | $\overline{X14}$ | $\overline{X24}$ |

Вариант 20

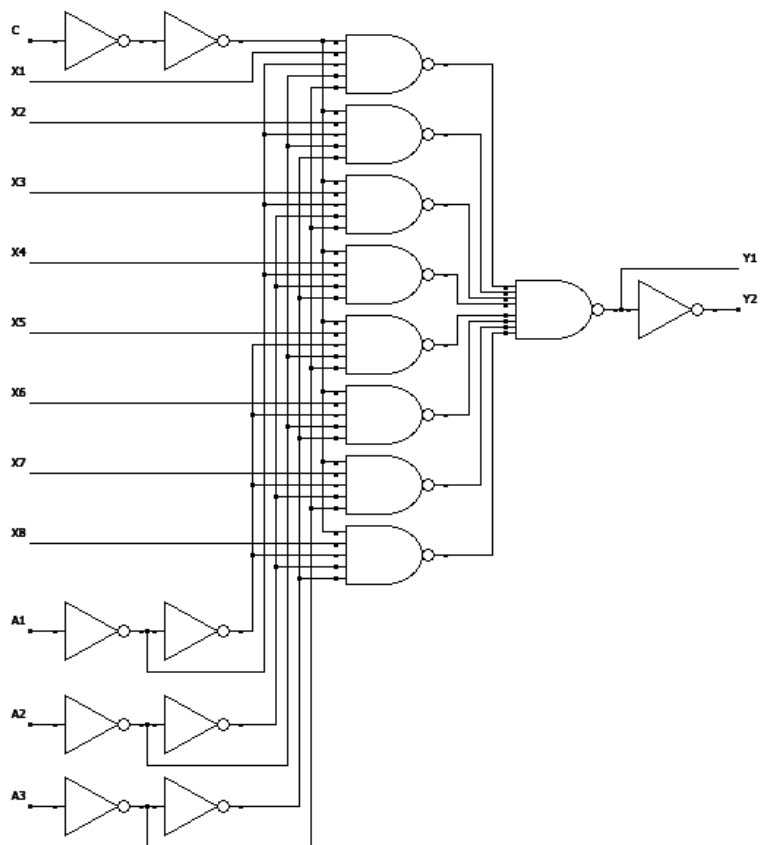


Таблица истинности:

| C | A1 | A2 | A3 | Y1 | Y2 |
|---|----|----|----|----|-----------------|
| 1 | 0 | 0 | 0 | X1 | $\overline{X1}$ |
| 1 | 0 | 0 | 1 | X2 | $\overline{X2}$ |
| 1 | 0 | 1 | 0 | X3 | $\overline{X3}$ |
| 1 | 0 | 1 | 1 | X4 | $\overline{X4}$ |
| 1 | 1 | 0 | 0 | X5 | $\overline{X5}$ |
| 1 | 1 | 0 | 1 | X6 | $\overline{X6}$ |
| 1 | 1 | 1 | 0 | X7 | $\overline{X7}$ |
| 1 | 1 | 1 | 1 | X8 | $\overline{X8}$ |
| 0 | X | X | X | 0 | 1 |

Вариант 21

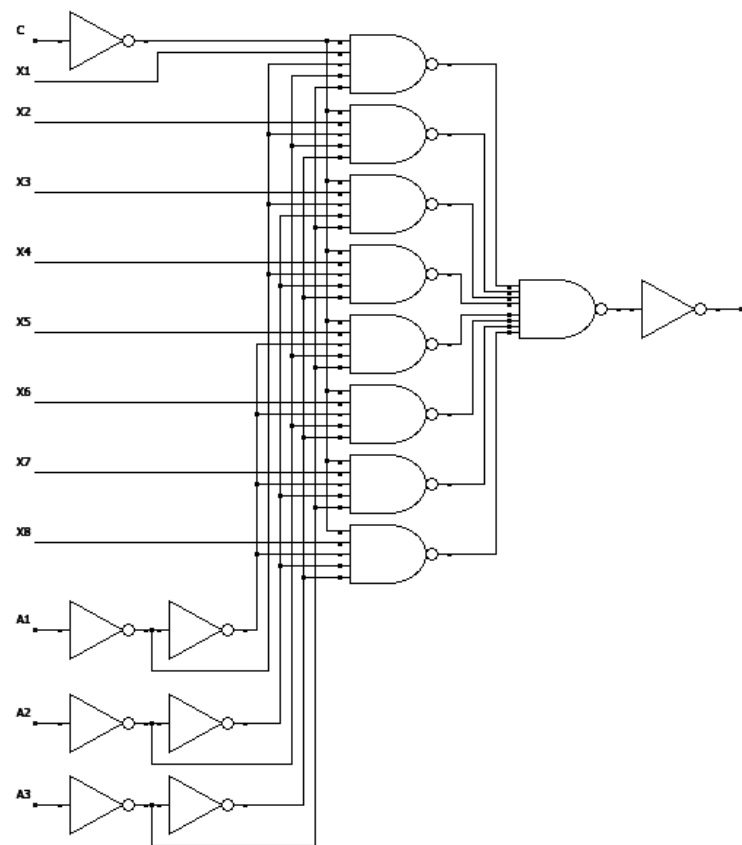


Таблица истинности:

| C | A1 | A2 | A3 | Y |
|---|----|----|----|-----------------|
| 0 | 0 | 0 | 0 | $\overline{X1}$ |
| 0 | 0 | 0 | 1 | $\overline{X2}$ |
| 0 | 0 | 1 | 0 | $\overline{X3}$ |
| 0 | 0 | 1 | 1 | $\overline{X4}$ |
| 0 | 1 | 0 | 0 | $\overline{X5}$ |
| 0 | 1 | 0 | 1 | $\overline{X6}$ |
| 0 | 1 | 1 | 0 | $\overline{X7}$ |
| 0 | 1 | 1 | 1 | $\overline{X8}$ |
| 1 | X | X | X | 1 |

Вариант 22

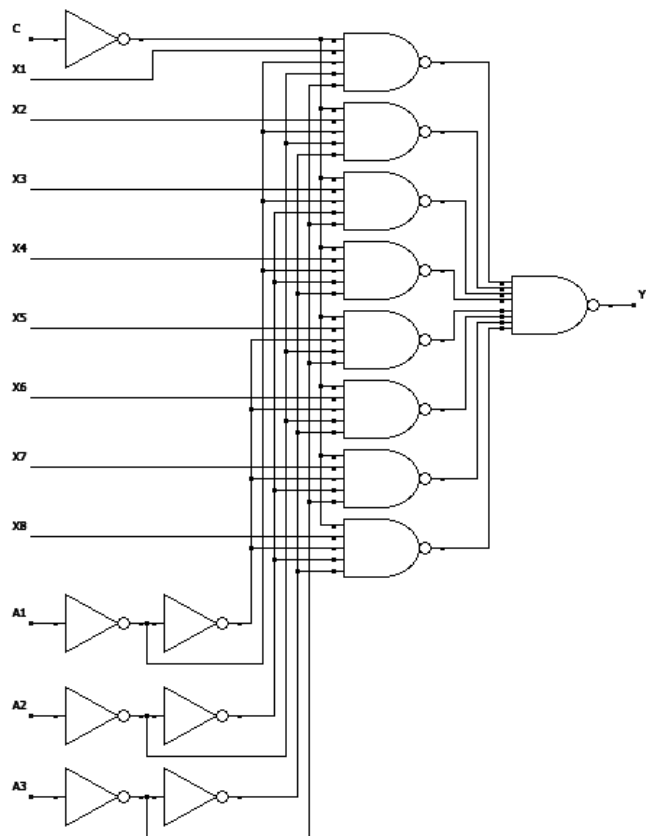


Таблица истинности:

| C | A1 | A2 | A3 | Y |
|---|----|----|----|----|
| 0 | 0 | 0 | 0 | X1 |
| 0 | 0 | 0 | 1 | X2 |
| 0 | 0 | 1 | 0 | X3 |
| 0 | 0 | 1 | 1 | X4 |
| 0 | 1 | 0 | 0 | X5 |
| 0 | 1 | 0 | 1 | X6 |
| 0 | 1 | 1 | 0 | X7 |
| 0 | 1 | 1 | 1 | X8 |
| 1 | X | X | X | 0 |

Вариант 23

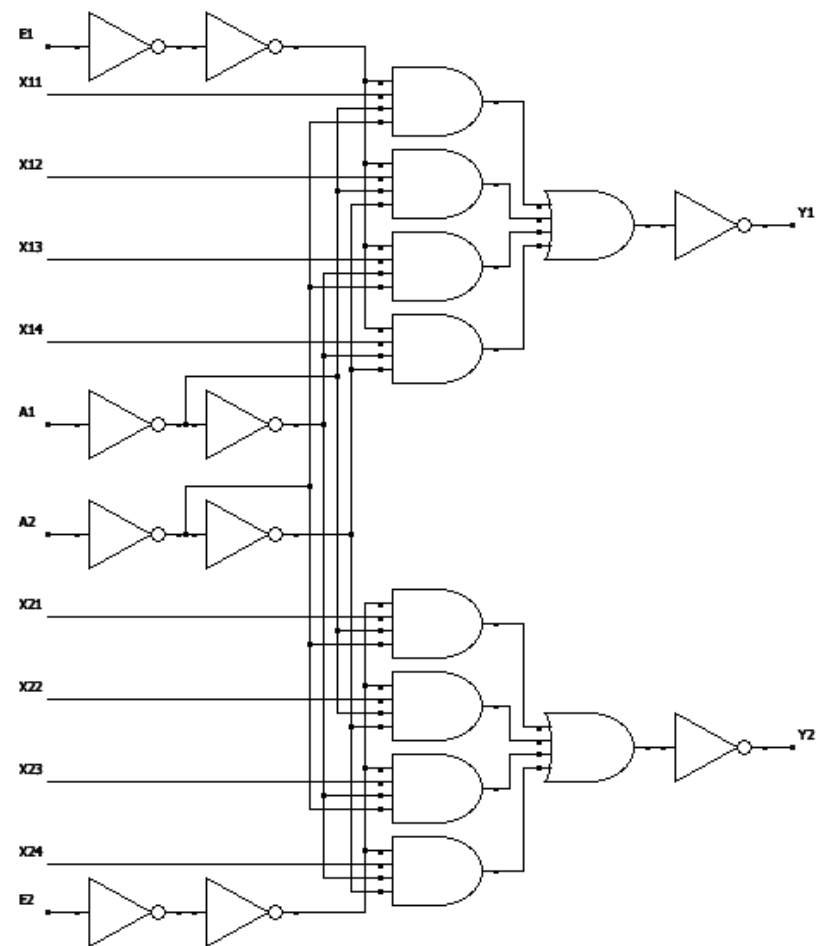


Таблица истинности:

| E1, E2 | A1 | A2 | Y1 | Y2 |
|--------|----|----|------------------|------------------|
| 0 | X | X | 1 | 1 |
| 1 | 0 | 0 | $\overline{X11}$ | $\overline{X21}$ |
| 1 | 0 | 1 | $\overline{X12}$ | $\overline{X22}$ |
| 1 | 1 | 0 | $\overline{X13}$ | $\overline{X23}$ |
| 1 | 1 | 1 | $\overline{X14}$ | $\overline{X24}$ |

Вариант 24

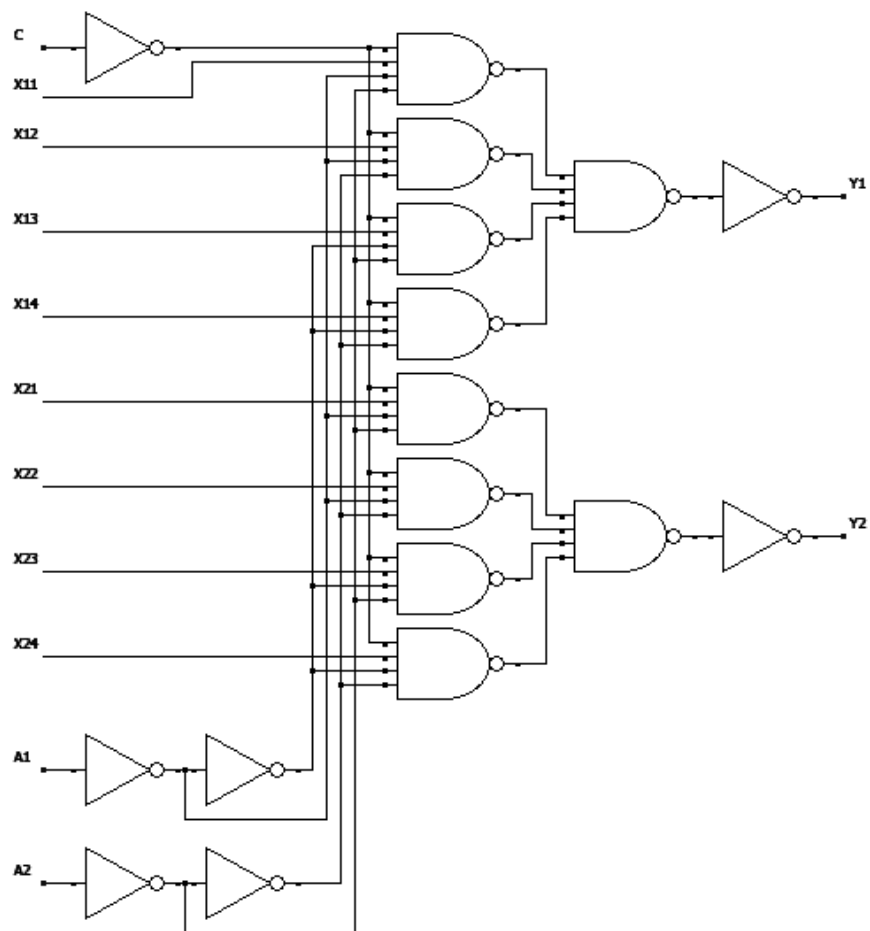


Таблица истинности:

| C | A1 | A2 | Y1 | Y2 |
|---|----|----|------------------|------------------|
| 0 | 0 | 0 | $\overline{X11}$ | $\overline{X21}$ |
| 0 | 0 | 1 | $\overline{X12}$ | $\overline{X22}$ |
| 0 | 1 | 0 | $\overline{X13}$ | $\overline{X23}$ |
| 0 | 1 | 1 | $\overline{X14}$ | $\overline{X24}$ |
| 1 | X | X | 1 | 1 |

Вариант 25

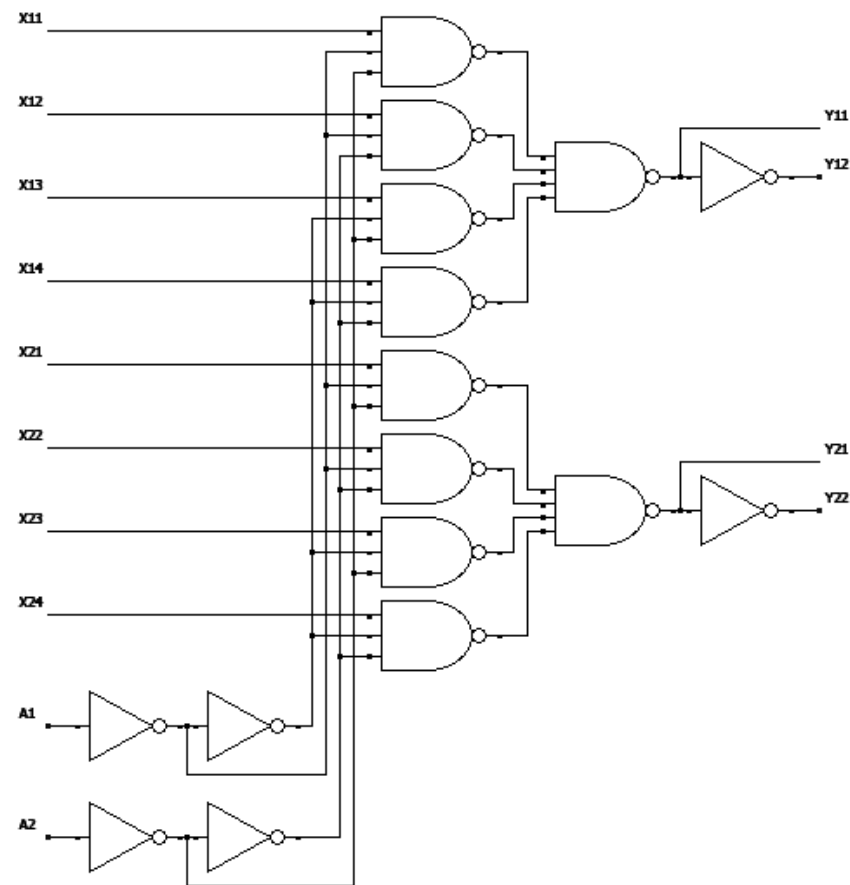


Таблица истинности:

| A1 | A2 | Y11 | Y12 | Y21 | Y22 |
|----|----|-----|------------------|-----|------------------|
| 0 | 0 | X11 | $\overline{X11}$ | X21 | $\overline{X21}$ |
| 0 | 1 | X12 | $\overline{X12}$ | X22 | $\overline{X22}$ |
| 1 | 0 | X13 | $\overline{X13}$ | X23 | $\overline{X23}$ |
| 1 | 1 | X14 | $\overline{X14}$ | X24 | $\overline{X24}$ |